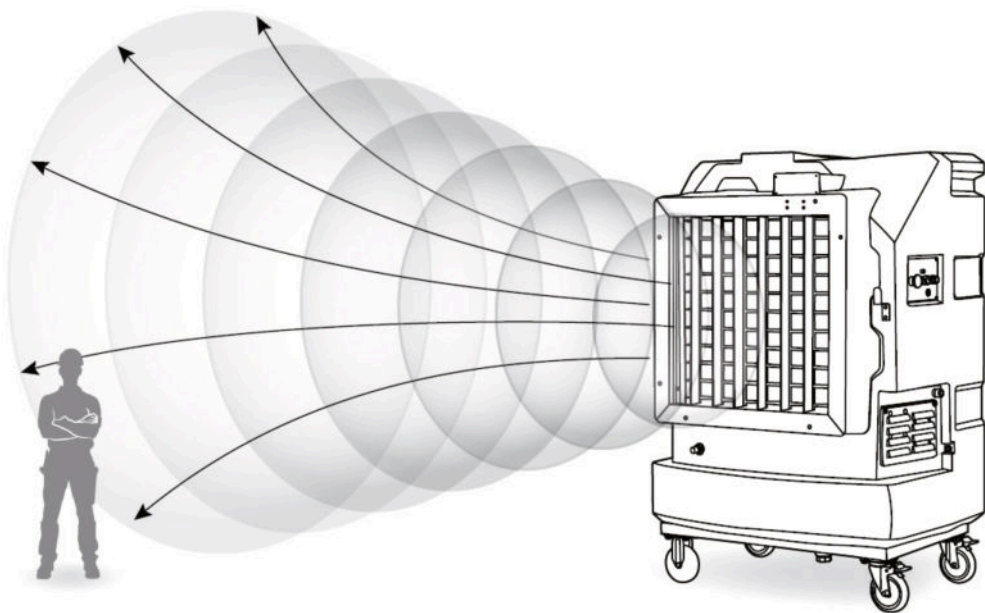




ECO COOLERS

REXNORDIC

Portable Inverter Water Cooling Fan
REX14000 & REX25000



 INSTRUCTION BOOK

 OHJEKIRJA

 BRUKSAN-
VISNING

 INSTRUKSJONS-
BOK

 INSTRUKTIONS-
BOG

 BEDIENUNGS-
ANLEITUNG

 INSTRUCTIE-
BOEK

 MANUEL
D'INSTRUCTIONS

 INSTRUKCJA
OBSLUGI

 MANUALE DI
ISTRUZIONI

 MANUAL DE IN-
STRUCCIONES

 MANUAL DE
INSTRUÇÕES

 **ECO COOLERS**

REX14000 Portable Inverter Water Cooling Fan

MODEL	EXTERNAL FRAME	BLADES	MOTOR	ROTATING SPEED	SOUND VOLUME (MAX.)	VOLTAGE (REGULAR)	WARRANTY
REX14000	PE	18" 3 Nylon 6 + Fiber Blades	450 W F Grade	1380 RPM	55dB*	1Ø230 V, 50 Hz	2 years **
CURRENT (MAX.)	POWER CONSUMPTION (MAX.)	WIND FETCH (MAX.)	SIZE	WATER STORAGE	WEIGHT	TOTAL WEIGHT WITH WATER	
3.5A ±10%	510W/h ±10%	15m up	L 75"W50"H 130cm	50L	45kg	105kg	

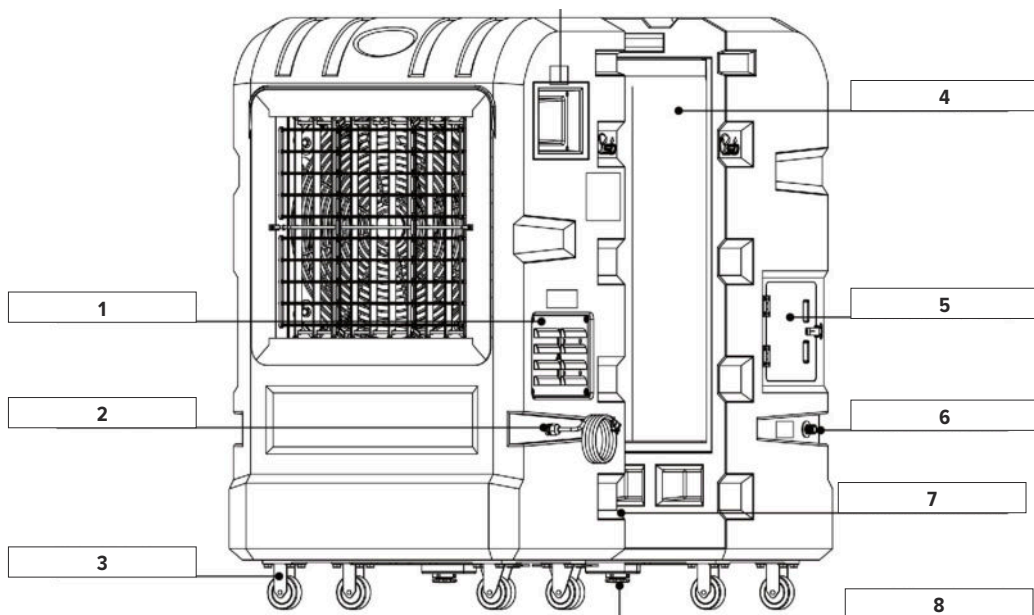
*(The sound volume data is detected from 3 m near, and will be verified in different surrounding area.)

****WARRANTY**

All Rex Nordic Eco coolers are warranted against defects in materials and workmanship for a period of 2 years from the date of purchase. The warranty does not cover: water damage, improper handling, color clarity, color finish, accidents or wear and tear. Proof of purchase is required for all claims.

1	Cover of Inverter
2	Power Cord
3	Wheel Rack
4	Water Cooling Pad

5	Ice Cube Entrance
6	Auto Water Inlet
7	Water Storage Scale
8	Manual Drain





REX25000 Portable Inverter Water Cooling Fan

MODEL	EXTERNAL FRAME	BLADES	MOTOR	ROTATING SPEED	SOUND VOLUME (MAX.)	VOLTAGE (REGULAR)	WARRANTY
REX25000	PE	30" 3 Nylon 6 + Fiber Blades	680 W F Grade	1100 RPM	60dB*	1Ø230 V, 50 Hz	2 years **
CURRENT (MAX.)	POWER CONSUMPTION (MAX.)	WIND FETCH (MAX.)	SIZE	WATER STORAGE	WEIGHT	TOTAL WEIGHT WITH WATER	
5A ±10%	850W/h ±10%	20m up	L 132"W69"H 172cm	170L	100kg	270kg	

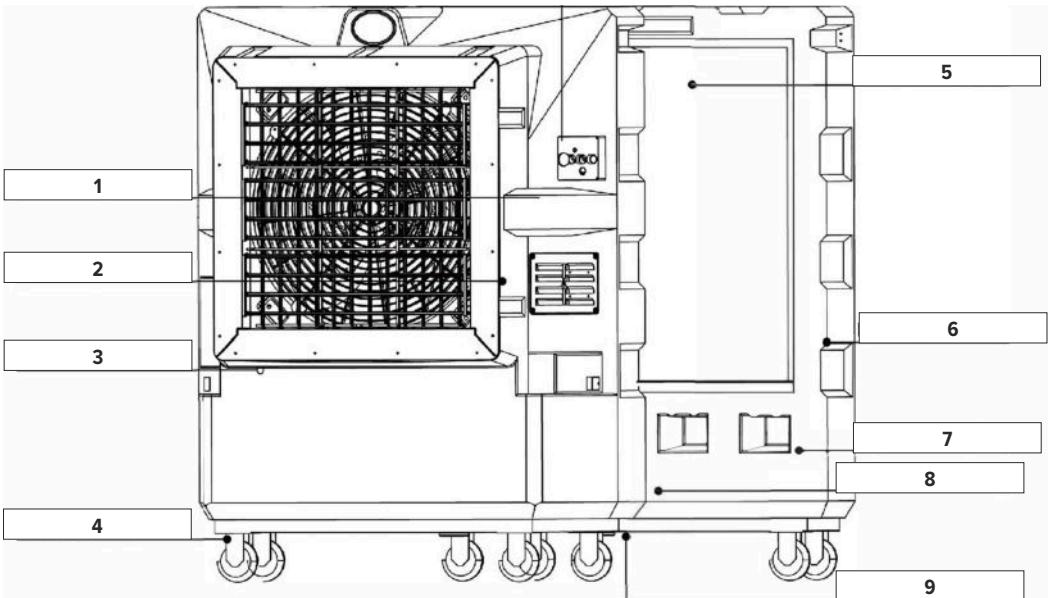
*(The sound volume data is detected from 3 m near, and will be verified in different surrounding area.)

**WARRANTY

All Rex Nordic Eco coolers are warranted against defects in materials and workmanship for a period of 2 years from the date of purchase. The warranty does not cover: water damage, improper handling, color clarity, color finish, accidents or wear and tear. Proof of purchase is required for all claims.

1	Power Cord Hook
2	Cover of Inverter
3	Auto Water Inlet
4	Wheel Rack
5	Water Cooling Pad

6	Ice Cube Entrance
7	Water tank
8	Water Storage Scale
9	Manual drain





We sincerely appreciate your trust and support in our product. To ensure proper and effective use, Please read through this manual before using this product.

SAFETY PRECAUTIONS

Please unplug the power connection before cleaning and maintaining!



Please go through the manual thoroughly before operating the water cooling fan.



Do not open the control panel or the cover of the inverter without qualified guidance.



Do not operate the control panel, or touch the power plug and the cover of the inverter with wet hands.



Do not share the plug with other equipment because of the fan's high start-up current. Please choose an over 2.5 mm² (14 AWG) extension cord set for the water cooling fan. Also, the extension cord should not be over 25 m.



Avoid using old extension cords or sockets. Keep the wires away from heat and fire. Do not place the wires where man or traffic is crossing to prevent wire being stepped on or pulled which may cause accident.



Do not remove the earth part of the plug. Choose a right and tight socket, do not use one without earthing. For your safety, do not change the power cord or the wiring of the control panel.



This unit is not capable of and should never be used to draw: (1) flammable gases, including oil gas, fuel gas, pure oxygen, hydrogen gas, etc. (2) flammable liquid, such as gas, toluene, etc. (3) dust or crystal which have a low flash point, including magnesium, platinum, gun powder, etc.



If the fan does not function well, please turn off the power and check the wire, socket, and extension cord. After checking, restart the fan after a while. If the problem is not solved, please contact where you purchase the fan or contact us to arrange repair service. Do not detach or change spare parts on your own.



Please place the water cooling fan on a flat ground and step on the brake button while operating. When encounter a flood damage, please unplug the fan and move it to somewhere safe.



When not using the cooling fan for a while, please open the drain at the bottom or turn on the auto drain to let out the water. Then turn on the fan for 1-2 hour to dry the cooling pad. After drying, unplug the fan for storage.



To fill the tank manually, please turn off the fan and open the ice cube entrance to fill the water. Make sure the water is away from power to prevent accident.



Do not face the air inlet side (the cooling pad side) to any burning or smoking object, including matches, ash, cigarette, cigar, charcoal, etc. Damages or accidents caused by the preceding issue are not covered by the warranty.



While operating, do not open the cover of the inverter, the cover guard of the fan, or the cooling pad on the back; also, do not throw anything to the fan to avoid accident.



The water cooling fans are heavy. Please be careful while moving the cooling fan, or it may cause man-injuries if bumping or overturning occurs.



Do not open the ice cube entrance while the fan is operating. Approaching the running fan blades would cause injuries, and could crack the blades.



While cleaning the cooling fan, do not spray water to the control panel or the cover of inverter to avoid damage.



Do not convert, disassemble, or repair the product without instruction. Damages caused by the preceding issue are not covered by the warranty. Please contact us for support.



Please do not convert or change the fan blades on your own to avoid accident.



Do not move the water cooling fan by pulling the attaching hose. This could cause fan damage.

PRODUCT PERFORMANCE



Adjust the fan speed freely with the power saving stepless inverter control system. Please cut off the power supply and unplug when not in use or people go out.



Move freely with the caster rack.



Evaporative cooling system.
Cool with no mist.



You can add some ice to enhance the cooling effect.



Large water storage to support 4-6 hour operation.



Low water storage detective device to avoid the pump from burning out.



Filters dust while cooling the air, and produce fresher air.



Portable design, take it everywhere you want.



100% made in Taiwan with high quality.



Strong and well-designed PE frame structure.



Save electricity in an air conditioned space and cool the room faster.

OPERATING INSTRUCTION

1 PLEASE FOLLOW THE CONDITIONS BELOW:



Please connect the product with AC 220V, 50 Hz, Single Phase power source. (There is a voltage instruction sticker on the product.)



The power voltage should not be 10% higher or lower than the indicated voltage.



Suitable Operating Temperature: 0°C~45°C. Do not place the machine near heat or fire.

2 When water storage level comes low, the pump would automatically stop. Please fill the tank to the maximum of the scale and do not over fill.

3 Do not stand, sit, or place things on the fan. It may cause damage, overturning, or injury when things drop.

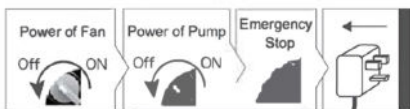
4 Keep the buckle of the ice cube entrance fasten after use.

5 Do not detach the cover guard and other parts of the fan, or it may cause fan damage or accident.

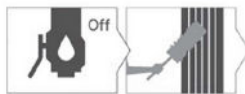
6 Please provide an isolated socket or cable for the fan. Do not share the power source with other high power consumption equipment to ensure safety.

7 By turning off the pump switch, you can use this product with only the fan function.

8 To ensure the best cooling effect, we suggest to wash the cooling pad and change the tank water once every week. Open the manual drain at the bottom, then fill the tank again. The following cleaning process makes the pump's service life longer.



A. Attention! Before the cleaning process, please switch off the fan, plug out, and move the fan away from power source and other equipment.



B. Open the manual drain below, and wash the cooling pad with soft brush from the top. After washing, wait until the waste water drain away, then close the drain.



C. When washing the cooling pad, do not spray water directly to the control panel or the cover of the inverter. This will damage the motor controller.




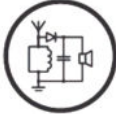



D. Wipe the fan housing with wet towel, do not spray water or wipe it with volatile liquid.

9 **Product damages cause by the following issues are not covered by our warranty.**

- A. Power connect with incorrect voltage.
- B. Damage in handling or in transit caused by users.
- C. Damage caused by natural calamities.
- D. Structural damage caused by volatile liquid or gas.
- E. Accident or damage caused by wire connection or power sharing with other equipment.
- F. Damage caused by converting or changing of the parts.
- G. Malfunction caused by wire altering.
- H. Damage caused by water spray or rain.
- I. Pump damage caused by clogging due to careless of cleaning.

Please contact us for any questions.

FEATURE AND MANUAL

				
STEPLESS FAN SPEED CONTROL	SHORT-CIRCUIT PROTECTION	SOFT START MOTOR	LOW WATER LEVEL PROTECTION	OVER-CURRENT PROTECTION

INSTRUCTION

WATER COOLING FAN OPERATION GUIDE

1 OPERATION PROCESS AND AUTO WATER INLET:

Attach the quick connector of the water inlet hose to a faucet, and tighten it. Check and make sure the other end of the connector is fastened to the cooling fan. Open the faucet and fill the water tank to the highest level of the water storage scale. Turn on the power of pump (see Control Panel Instruction below), and let the water wet the cooling pad for 1-2 minutes, then turn on the power of fan and adjust the fan speed. By following the process, you will get the best cooling effect of your fan.

2 CONTROL PANEL INSTRUCTION:

1	Power Indicator
2	Power/ Emergency Stop
3	Power of Pump
4	Power of Fan
5	Fan Speed Regulator
6	Power of Shutters



POWER/ EMERGENCY STOP

- Twist the button and light up the power indicator.
- Press the button to turn off the power when any emergency occur. Please follow the on and off process below for usual usage.

Attention: Once you press the Emergency Stop, restart the fan after 20 second.

POWER OF PUMP

- Switch on the button, the pump will start as there is sufficient water inside the tank. The pump would not start when the water level is low. Please fill the tank before use.

POWER OF FAN

- Switch on the power of fan and turn the fan speed regulator to control the speed.

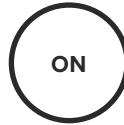
FAN SPEED REGULATORS

- Control the fan speed as the power of fan is on. From 0-100; the higher the number, the faster the fan.

POWER OF SHUTTERS

- Control the electric shutters

TURN ON & TURN OFF



- 1 - Plug in the fan
- 2 - Turn on the power switch
- 3 - Power indicator light up
- 4 - Turn on the power of pump for 1-2 min. to let the cooling pad wet
- 5 - Turn on the power of fan
- 6 - Regulate the fan speed



- 1 - Turn off the pump and leave the fan running for 30 minutes to dry out the cooling media, and then turn off the fan.

- 2 - Turn the speed regulator to 0
- 3 - Turn off the power of the fan
- 4 - Push the emergency stop
- 5 - Unplug the fan

LABEL INSTRUCTIONS SIGN**1~AC230V**

Power Specification

! WARNING / DANGEROUS**ELECTRIC SHOCK
OPERATE CAREFULLY****DON'T SPRAY WATER**

Inverter and controller of the fan is installed here.
Wipe the fan with wet towel. Spraying water could
caused electric leakage or short circuit.

! AVOID HIGH WATER PRESSURE**WATER IN**

Water inlet pressure should not be over 4,5 bar.

WATER OUT

Manual drain. Open when changing and washing.

**WARNING****RISK OF
DRAW IN****DANGEROUS
DON'T TOUCH**

Do not approach or touch the
fan while operating.

**Warning****Do not open it
when the fan
is running.**

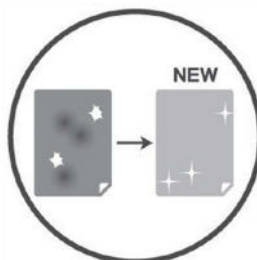
Ice Cube Entrance

**CLEAN AND MAINTAIN
CHANGE THE WATER REGULARLY**

1 During use, dust and particles would deposit inside the tank. This may lower the cooling capacity of the fan and brings bad odor. We suggest to change the water in the tank at least once a week; add more times if needed. And do not spray water directly to the inverter or control panel.

2 The cooling fan can filter dust and particles. When using the fan in an area with bad air, we suggest to open the manual drain to let out the water after use. Fill the tank next time when needed.

3 Manual Drain: At the bottom of the cooling fan. Twist the knob to open and let out the water. Twist it back afterward.



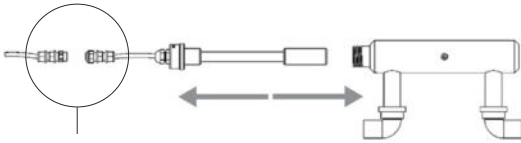
**The water cooling pads are consumables.
Please contact us or our distributor
for replacement when stained or damaged.**

UV-LIGHT CLEANING PROCESS

1 Before starting the process, please press the red button (Emergency Stop).

2 Unplug the power cord to avoid electric shock.

After making sure the cooler is unplugged, please follow the guide below:



UVC QUICK CONNECTOR

3 Open the ice cube entrance and unfasten the quick connector of the UV-light tube.

4 Loosen the cable gland.

5 Loosen the stainless steel fastener.

6 Take out the UV-light tube.

7 The limescale can be removed by soaking the tube in consumer available citric acid based limescale remover. Soak the tube in limescale remover and rinse well.

8 Rinse the light tube with water to wash the solution. Put the UV-light tube back to its cover by its original position.

9 Connect the quick connector properly and fasten it tight.

10 Polk the cable in and fasten the gland.

11 Fasten the stainless steel fastener.

12 After installing the UV-light tube, close the ice cube entrance and finish the process.

WARNING



1 PLEASE FOLLOW THE GUIDE IN THIS MANUAL ACCURATELY. DAMAGES AND INJURIES CAUSED BY IMPROPER USE ARE NOT COVER BY THE WARRANTY.

2 WE ARE NOT RESPONSIBLE FOR ACCIDENT CAUSED BY PRODUCT CONVERTED BY USERS.

3 WHEN NOTICE ANY PROBLEM WHICH MAY BE CAUSED DURING THE DELIVERY, PLEASE CONTACT US OR OUR DISTRIBUTOR IN YOUR COUNTRY FOR URGENT ASSISTANCE.

4 TO AVOID ANY ACCIDENT OR DAMAGE, PLEASE FOLLOW THE RULES BELOW:

- You must learn how to operate the machine correctly before use.
- You must read through the manual and have the knowledge of all the instructions before use.
- You must read through the manual and understand the label instruction sign before use.

The content of this manual, including the specifications and the design of the products may be modified without prior notice.


ECO-VIILENTIMET
REX14000 Inverteriohjattu haihduttava viilennyspuhallin

MALLI	RUNGON ULKO-OSAT	SIIVET	MOOTTORI	PYÖRIMISNOPEUS	ÄÄNENOIMAKKUUS (SUURIN)	JÄNNITE (TYYPILLINEN)	TAKUU
REX14000	PE	18", 3 kpl, kuituvahvistettu nailon	450W luokka F	1380 rpm	55 dB	1Ø230 V, 50 Hz	2 vuotta **
VIRTA (SUURIN)	VIRRANKULUTUS (SUURIN)	VAIKUTUSALUE (SUURIN)	MITAT	VESISÄILIÖ	PAINO	KOKONAISPAINO, SIS. VESI	
3.5A ±10%	510W/h ±10%	15 m	P 75"L50*K 130cm	50 L	45 kg	105 kg	

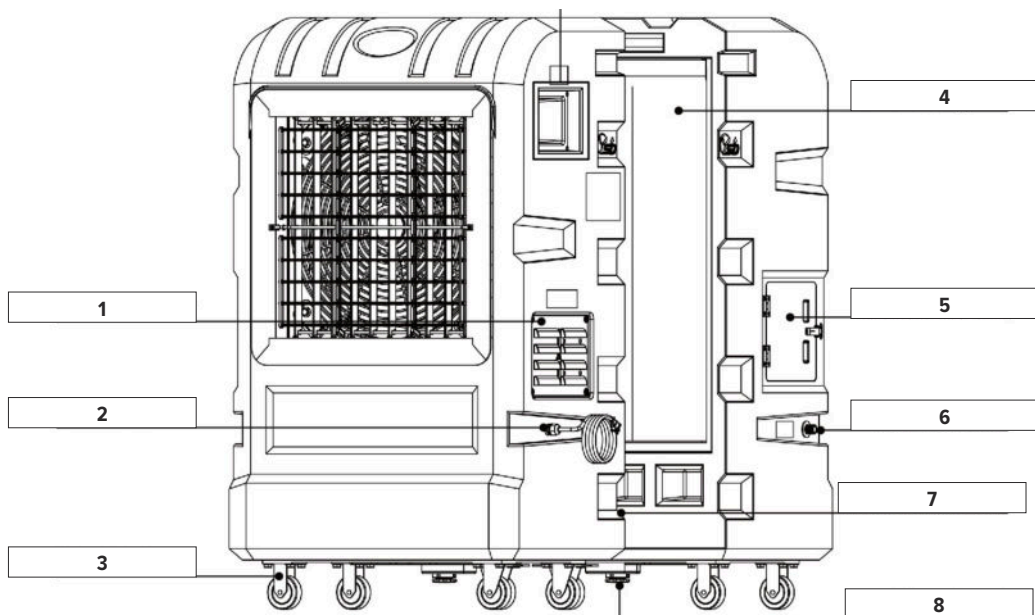
* Äänenvoimakkuus mitattuna kolmen metrin etäisyydeltä. Voimakkuus vaihtelee ympäristön mukaan.

**** TAKUU**

Kaikkilla Rex Nordicin Eco-viilentimillä on kahden vuoden takuu ostopäivämäärästä lukien. Takuu kattaa materiaali- ja valmistusvirheet. Takuu ei kata vesivahinkoja, väärinkäyttöä, värin kirkkautta, väripintaa, onnettomuuksia tai normaalia kulumista. Reklamaation yhteydessä on esitettävä ostotosite.

1	Inverterin suojakansi
2	Virtajohto
3	Pyörä
4	Haihdutuskenno

5	Jääpalojen lisäysaukko
6	Automaattinen vedenottoilitäntä
7	Vesisäiliön asteikko
8	Käskikäyttöinen tyhjennysana





REX25000 Inverteriohjattu haihduttava viilennyspuhallin

MALLI	RUNGON ULKO-OSAT	SIIVET	MOOTTORI	PYÖRIMISNOPEUS	ÄÄNVOIMAKKUUS (SUURIN)	JÄNNITE (TYYPILLINEN)	TAKUU
REX25000	PE	30", 3 kpl, kuitu- vahvistettu näillon	680 W luokka F	1100 rpm	60 dB*	1Ø230 V, 50 Hz	2 vuotta **
VIRTA (SUURIN)	VIRRANKULUTUS (SUURIN)	VAIKUTUSALUE (SUURIN)	MITAT	VESISÄILIÖ	PAINO	KOKONAISPAINO, SIS. VESI	
5A ±10%	850W/h ±10%	20 m	P 132*L69*K 172cm	170 L	100 kg	270 kg	

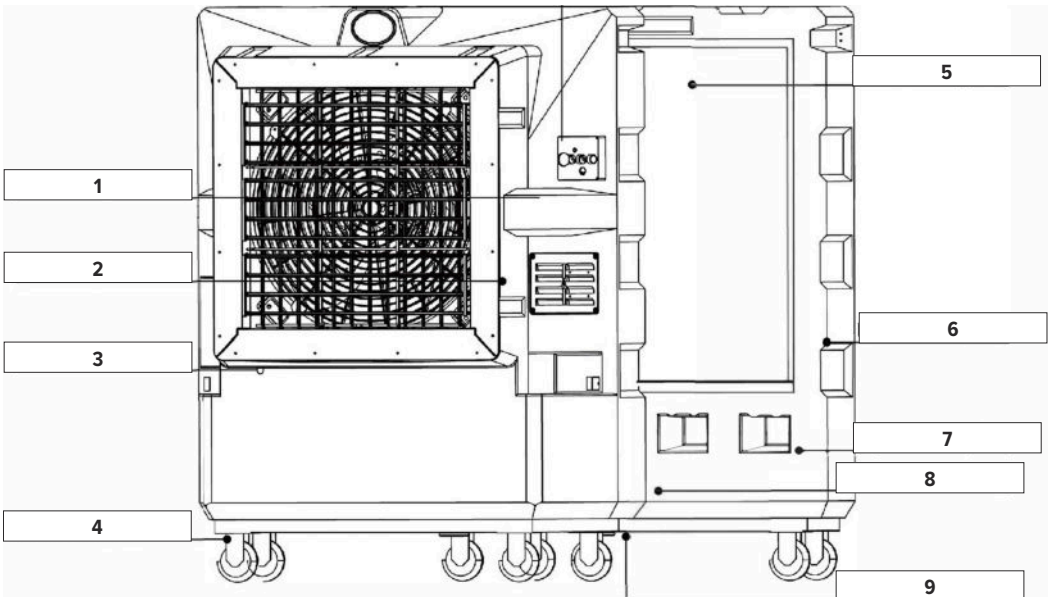
* Äänenvoimakkuus mitattuna kolmen metrin etäisyydeltä. Voimakkuus vaihtelee ympäristön mukaan.

** TAKUU

Kaikkilla Rex Nordicin Eco-viilentimillä on kahden vuoden takuu ostopäivämäärästä lukien. Takuu kattaa materiaali- ja valmistusvirheet. Takuu ei kata vesivahinkoja, väärinkäyttöä, värin kirkkautta, väripintaa, onnettomuuksia tai normaalia kulumista. Reklamaation yhteydessä on esitettävä ostotositte.

1	Virtajohdon koukku
2	Inverterin suojakansi
3	Automaattinen vedenottoilitäntä
4	Pyörä
5	Haihdutuskenno

6	Jääpalojen lisäysaukko
7	Vesisäiliö
8	Vesisäiliön asteikko
9	Käsiikäyttöinen tyhjennyshana





Kiitos kun valitsit Rex Nordicin! Lue tämä ohjekirja ennen tuotteen käyttöä jotta sen käyttö on turvallista ja tehokasta.

VAROITIMENPITEET

Muista irrottaa virtajohto ennen puhdistusta ja huoltoa!



Tutustu käyttöoppaaseen huolellisesti ennen viilennyspuhaltimen käyttöä.



Älä avaa ohjauspaneelia tai invertterin suojakantta ilman pätevää opastusta.



Älä koske märin käsin ohjauspaneeliin, virtapistokkeeseen tai invertterin suojakanteen.



Älä käytä muita laitteita samassa pistorasiassa puhaltimen kanssa (korkea käynnistysvirta).
Jatkojohdon johtimen poikkipinta-alan tulee olla yli 2,5 mm² (14 AWG).
Jatkojohdon enimmäispituus on 25 metriä.



Älä käytä vanhoja jatkojohtoja ja pistorasioita.
Älä altista johtoja kuumuudelle tai tulelle.
Vedä johto niin, että sen päältä ei kuljeta eikä kukaan voi vetää sitä vahingossa, mikä voisi aiheuttaa onnettomuuden.



Älä irrota virtapistokkeen maadoitusosaa.
Käytä vain hyväkuntoista ja pitävää maadoitettua pistorasiaa. Älä vaihda itse virtajohtoa tai muuta ohjauspaneelin johdotusta (aiheuttaa henkilövahingon vaaran).



Laitteella ei voi eikä sillä saa yrittää poistaa seuraavia aineita: 1) syttyviä kaasuja (öljykaasu, polttokaasu, puhdas happi, vetykaasu yms.), 2) syttyviä nesteitä (benssiini, tolueni yms.) tai 3) pölyä tai hileitä, joilla on alhainen syttymispiste (magnesium, platina, ruuti yms.).



Jos puhallin toimii huonosti, sammuta sen virta ja tarkasta virtajohtoon, pistorasian ja jatkojohdon kunto. Tarkastuksen jälkeen odota hetki ennen kuin käynnistät puhaltimen uudelleen. Jos ongelmaa jatkuu, ota yhteys puhaltimen myyjään tai Rex Nordicin laitteen korjaamiseksi. Älä irrota tai vaihda osia itse.



Käyttöä varten aseta viilennyspuhallin tasaiselle alustalle ja paina jarrupainiketta. Jos tilassa tulvii, irrota laitteen virtajohto ja siirrä laite turvalliseen paikkaan.



Jos laite on jonkin aikaa käyttämättä, tyhjennä siitä vesi avaamalla pohjan tyhjennys-hana tai käyttämällä automaattista tyhjennystä. Kytke sitten puhallin päälle 1–2 tunniksi, jotta haihdutuskenno kuivuu. Kun laite on kuiva, irrota sen virtajohto säilytystä varten.



Vesisäiliön täyttö käsin: sammuta puhallin ja avaa jääpalojen lisäysaukko.
Varo läikyttämästä vettä sähköosiin.



Suuntaa ilmanottoaukon puoli (haihdutuskennon puoli) pois tulesta ja savusta, esimerkiksi paikoista, joissa käytetään tulitikkuja tai tupakkaa tai säilytetään tuhkan, hiiltä tai muuta sellaista. Takuu ei kata yllä olevien aiheuttamia vahinkoja.



Älä avaa käytön aikana invertterin suojakantta, puhaltimen suojusta tai takaosan haihdutuskennoa. Älä heitä esineitä laitetta kohti.



Viilennyspuhallin on raskas laite. Noudata varovaisuutta laitetta siirrettäessä – laitteeseen törmääminen tai sen kaatuminen voi aiheuttaa henkilövahingon.



Älä avaa jääpalojen lisäysaukkoa puhaltimen toimiessa. Pyörivien siipien koskettaminen voi aiheuttaa henkilövahingon ja siiven murtumisen.



Kun puhdistat viilennyspuhallinta, älä suihkuta vettä ohjauspaneeliin tai invertterin suojakanteen.



Älä muuta, pura tai korjaa tuotetta ilman opastusta. Takuu ei kata yllä olevista aiheutuneita vaurioita. Tukiasioissa ota yhteys Rex Nordiciin.



Älä muuta tai vaihda puhaltimen siipiä itse.



Älä siirrä laitetta vetämällä sen letkusta. Tämä voi vahingoittaa laitetta.



Viilennystä voi tehostaa lisäämällä jääpaloja.



Suuri vesisäiliö riittää 4–6 tunniksi.



Vedenkorkeuden mittausta estää pumpun rikkoutuminen veden loppuessa.



Raikastaa ilmaa viilentämällä sitä ja suodattamalla pölyä.



Sirrettävä laite, käytä missä haluat.



Korkealaatuinen, valmistettu alusta loppuun Taiwanissa.



Kestävä ja tarkoituksenmukainen PE-runko.



Säästää sähköä ilmastoidussa tilassa, ilma viilenee nopeammin.

TUOTTEEN OMINAISUUDET



Portaaton puhaltimen invertteriohjaus säätyy vapaasti ja säästää sähköä. Katkaise virta ja irrota pistoke pistorasiasta, kun laitetta ei käytetä tai se jää valvomatta.



Helppo siirtää omilla pyörillä.



Veden haihtumiseen perustuva viilennys. Ei tuota vesipisaroita.

KÄYTTÖOHJEET

1 NOUDATA ALLA OLEVIA OHJEITA:



Kytke laite 220 V vaihtovirtalähteeseen (yksivaihevirta, 50 Hz).
(Laitteessa on jännitteen osoittava tarra.)



Virtalähteen jännite ei saa ylittää tai alittaa nimellisjännitettä yli 10 prosentilla.



Sallittu käyttölämpötila-alue: 0–45 °C.
Älä altista laitetta kuumuudelle tai tulelle.

2 Pumppu pysähtyy automaattisesti, jos säiliön vedenkorkeus laskee liikaa. Täytä säiliö asteikon yläpään asti, älä ylitäytä.

3 Älä kuormaa laitetta tai istu tai seiso sen päällä. Laite voi vahingoittua tai kaatua, ja putoavat esineet voivat aiheuttaa henkilövahingon.

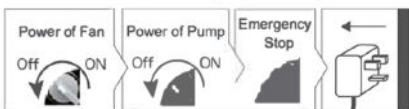
4 Pidä jääpalojen lisäysaukon salpa kiinni, kun et käytä aukkoa.

5 Älä irrota suojusta tai muita puhaltimen osia. Puhallin saattaa vahingoittua tai aiheuttaa onnettomuuden.

6 Älä käytä muita laitteita samassa pistorasiassa puhaltimen kanssa. Älä käytä samassa virtalähteessä muita tehokkaita laitteita, jotta suuri virrankulutus ei aiheuta vahinkoa.

7 Laitetta voi käyttää pelkkänä puhaltimena sammuttamalla pumpun kytkimestä.

8 Suosittelemme pesemään haihdutuskennoa ja vaihtamaan säiliön veden kerran viikossa parhaan viilennystehon säilyttämiseksi. Avaa pohjan tyhjennyskana ja täytä säiliö uudelleen. Pumpun käyttöikä pitenee, kun puhdistat sen alla kuvatulla tavalla.



A. Huomaa! Sammuta puhallin, irrota laitteen pistoke ja siirrä laite pois virtalähteiden ja muiden laitteiden läheisyydestä ennen puhdistusta.



B. Avaa pohjan tyhjennyskana ja pese haihdutuskenno pehmeällä harjalla ylhäältä alas edeten. Pesun jälkeen odota, että pesuvesi poistuu laitteesta ja sulje sitten hana.



C. Varo haihdutuskennon pesun aikana, ettet suihkuta vettä suoraan ohjauspaneeliin tai invertterin suojakanteen. Tämä vahingoittaa moottorin ohjainta.



D. Pyyhi puhaltimen runko kostealla liinalla, älä suihkuta sitä vedellä tai käytä liuottimia.

9 Takuu ei kata alla luetelluista syistä aiheutuneita vaurioita.

- Väärä virtaliitännän jännite.
- Käyttäjien käytön tai kuljetuksen aikana aiheuttamat vauriot.
- Luonnonkatastrofit.
- Liuottimen tai kaasun aiheuttamat rakenteelliset vauriot.
- Kytkenän tai virtalähteen jakaminen muun laitteen kanssa.
- Osien muuttaminen tai vaihtaminen.
- Johdotuksen muuttaminen.
- Vesisuihku tai sade.
- Huolimattomuudesta johtuva pumpun tukkeutuminen.

Lisätietoja saat Rex Nordicilta.

OMINAISUUDET JA KÄYTTÖOHJEET

				
PORTAATON PUHALTIMEN NOPEUDEN SÄÄTÖ	OIKOSULKUSUOJAUS	MOOTTORIN PEHMEÄ KÄYNNISTYS	MATALAN VEDENKORKEUDEN TUNNISTUS	YLIVIRTASUOJAUS

KÄYTTÖOHJEET VIILENNYSPUHALTIMEN KÄYTTÖOPAS

1 TOIMINTA JA AUTOMAATTINEN VEDENOTTO:

Kiinnitä vesiletkun pikaliitin hanaan ja kiristä liitin. Tarkista, että vesiletkun toinen pää on kiinnitetty viilennyspuhaltimeen. Avaa hana ja täytä vesisäiliö asteikon korkeimmalle tasolle. Kytke pumppuun virta (katso kohta Ohjauspaneelin ohjeet alla) ja anna veden valua haihdutuskenossa 1–2 minuuttia. Kytke sitten puhaltimen virta ja säädä sen nopeus sopivaksi. Näin toimimalla saat puhaltimesta irti parhaan viilennystehon.

2 OHJAUSPANEELIN OHJEET:

1	Virran merkkivalo
2	Päävirta-/häätäpysäytyspainike
3	Pumpun virtakytkin
4	Puhaltimen virtakytkin
5	Puhaltimen nopeudensäädin
6	Suuntauslevyjen virtakytkin



PÄÄVIRTA-/HÄTÄPYSÄYTYS PAINIKE

- Virta kytketään kiertämällä painiketta (virran merkkivalo syttyy).
- Painikkeen painaminen katkaisee virran – käytetään vain hätätapauksessa. Suorita normaali virran kytkentä ja katkaisu jäljempänä annettujen ohjeiden mukaisesti.

Huomaa: Häätäpysäytyksen jälkeen odota 20 sekuntia ennen kuin käynnistät puhaltimen uudelleen.

PUMPUN VIRTAKYTKIN

- Kytkee virran. Pumppu käynnistyy, jos säiliössä on riittävästi vettä. Pumppu ei käynnisty, jos vedenkorkeus alittaa rajan. Täytä säiliö ennen käyttöä.

PUHALTIMEN VIRTAKYTKIN

- Kytkee puhaltimen virran. Valitse sopiva puhaltimen nopeus kääntämällä nopeudensäädintä.

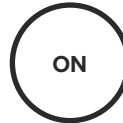
PUHALTIMEN NOPEUDENSÄÄDIN

- Kytke puhaltimen virta ennen nopeuden säätämistä. Asteikko on 0–100, suurin nopeus on 100.

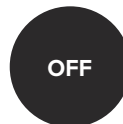
SUUNTAUSLEVYJEN VIRTAKYTKIN

- Ohjaa sähkötoimisia suuntauslevyjä.

VIRRAN KYTKEMINEN JA KATKAISEMINEN



1. Kytke laite pistorasiaan.
2. Kytke päävirtakytkin päälle.
3. Virran merkkivalo syttyy.
4. Kytke pumppuun virta. Odota 1–2 minuuttia, jotta haihdutuskenno kostuu.
5. Kytke puhaltimen virta.
6. Säädä puhaltimen nopeus sopivaksi.



- 1 - Sammuta pumppu ja anna puhaltimen käydä 30 minuuttia jotta haihdutuskenno kuivuu ja sammuta sitten puhallin.
- 2 - Käännä nopeudensäädin asentoon 0
- 3 - Katkaise puhaltimen virta
- 4 - Paina häätäpysäytyskytkintä
- 5 - Irrota virtajohto

TARROJEN SELITYKSET

1~AC230V

Virtalähteen tiedot

! WARNING / DANGEROUS



**ELECTRIC SHOCK
OPERATE CAREFULLY**



DON'T SPRAY WATER

Invertterin ja puhaltimen ohjaimen sijainti. Pyyhi puhallin kostealla liinalla. Veden suihkuttaminen voi aiheuttaa vuotovirran tai oikosulun.

! AVOID HIGH WATER PRESSURE

WATER IN

Veden tulopaine ei saa olla yli 4,5 baaria.

WATER OUT



Käsikäyttöinen tyhjennyshana.

Avaa pesun ja veden vaihtamisen aikana.

! WARNING



**RISK OF
DRAW IN**



**DANGEROUS
DON'T TOUCH**

Älä lähesty tai koske puhallinta käytön aikana.

! Warning

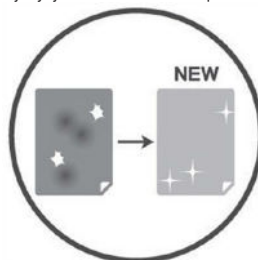
**Do not open it
when the fan
is running.**

Jääpalojen lisäysaukko

**PUHDISTUS JA HUOLTO
VAIHDA VESI SÄÄNNÖLLISESTI**



- 1** Käytön aikana säiliöön kertyy pölyä ja hiukkasia. Tämä voi heikentää puhaltimen jäähdytystehoa ja aiheuttaa pahaa hajua. Suosittelemme veden vaihtoväliksi vähintään kerran viikossa, tarvittaessa useammin. Älä suihkuta vettä suoraan invertteriin tai ohjauspaneeliin.
- 2** Viilennyspuhallin suodattaa pölyä ja hiukkasia. Jos käytät puhallinta alueella, jonka ilmanlaatu on huono, suosittelemme käytön jälkeen avaamaan tyhjennyskanan ja tyhjentämään veden. Täytä säiliö vasta seuraavalla käyttökerralla.
- 3** Käsintyhjennys: Hana sijaitsee laitteen pohjassa. Käännä hana auki ja tyhjennä vesi. Käännä lopuksi hana kiinni.



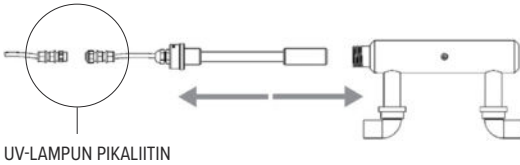
Haihdutuskennot ovat kulutusosia. Kun kenno on likaantunut tai vahingoittunut, hanki uudet osat Rex Nordicilta tai maahantuojalta.

UV-LAMPUN PUHDISTUS

1 Paina punaista painiketta (häätäpysäytys) ennen puhdistuksen aloittamista.

2 Irrota virtajohto, jotta et saa sähköiskua.

Varmista, että laitteen virtajohto on irrotettu, ja seuraa sitten alla olevia ohjeita:



UV-LAMPUN PIKALIITIN

- 3** Avaa jääpalojen lisäysaukko ja irrota UV-lampun pikaliitin.
- 4** Löysää kaapelitiiviste.
- 5** Löysää teräskiinnike.
- 6** Irrota UV-lamppu.
- 7** Kalkin saa poistettua liottamalla lampua tavallisessa sitruunahappopohjaisessa kalkinpoistoliuoksessa. Anna lampun liota ja huuhtelee se hyvin. Toimi kalkinpoistajan ohjeiden mukaan.
- 8** Huuhtelee liuos lampusta pelkällä vedellä. Asenna UV-lamppu paikalleen suojukseen.
- 9** Kytke pikaliitin ja kiinnitä se tiiviisti.
- 10** Kiinnitä kaapeli ja kaapelitiiviste.
- 11** Kiinnitä teräskiinnike.
- 12** Sulje lopuksi jääpalojen lisäysaukko, kun olet asentanut UV-lampun.

VAROITUS



- 1** NOUDATA TÄMÄN KÄYTTÖOHJEEN OHJEITA TARKASTI. TAKUU EI KATA VÄÄRINKÄYTTÖÄ AIHEUTUNEITA VAHINKOJA JA VAMMOJA.
- 2** REX NORDIC EI OLE VASTUUSSA KÄYTTÄJÄN MUUTTAMAN TUOTTEEN AIHEUTTAMISTA VAHINGOISTA.
- 3** JOS HAVAITSET MAHDOLLISEN KULJETUSVAURION, OTA PIKAISESTI YHTEYS REX NORDICIIIN TAI MAAHANTUOJAAN.
- 4** VÄLTÄ VAHINGOT NOUDATTAMALLA ALLA OLEVIA OHJEITA:
 - Opettele laitteen oikea käyttötapa ennen kuin aloitat sen käytön.
 - Lue käyttöohjekirja ja opettele ohjeet läpikotaisin ennen käyttöä.
 - Lue käyttöohjekirja ja opettele tarrojen merkitys ennen käyttöä.

Tämän käyttöohjeen sisältöä, muun muassa tuotteiden teknisiä tietoja ja rakennetta, voidaan muuttaa ilman ennakoilmoitusta.


ECO-KYLAGGREGAT
REX14000 Portabel vattenkylfläkt av invertertyp

MODELL	STOMME	BLAD	MOTOR	ROTATIONS-HASTIGHET	LJUDVOLYM (MAX.)	SPÄNNING (NORMAL)	GARANTI
REX14000	PE	18" 3 nylon 6 + fiberblad	450 W F klass	1380 r/min	55 dB*	1Ø230 V, 50 Hz	2 år **
STRÖM (MAX.)	STRÖMFÖRBRUKNING (MAX.)	VINDFÅNG (MAX.)	STORLEK	VATTEN-BEHÅLLARE	VIKT	TOTALVIKT MED VATTEN	
3.5A ±10%	510W/h ±10%	15 meter upp	L 75 cm, B 50 cm, H 130cm	50 l	45 kg	105 kg	

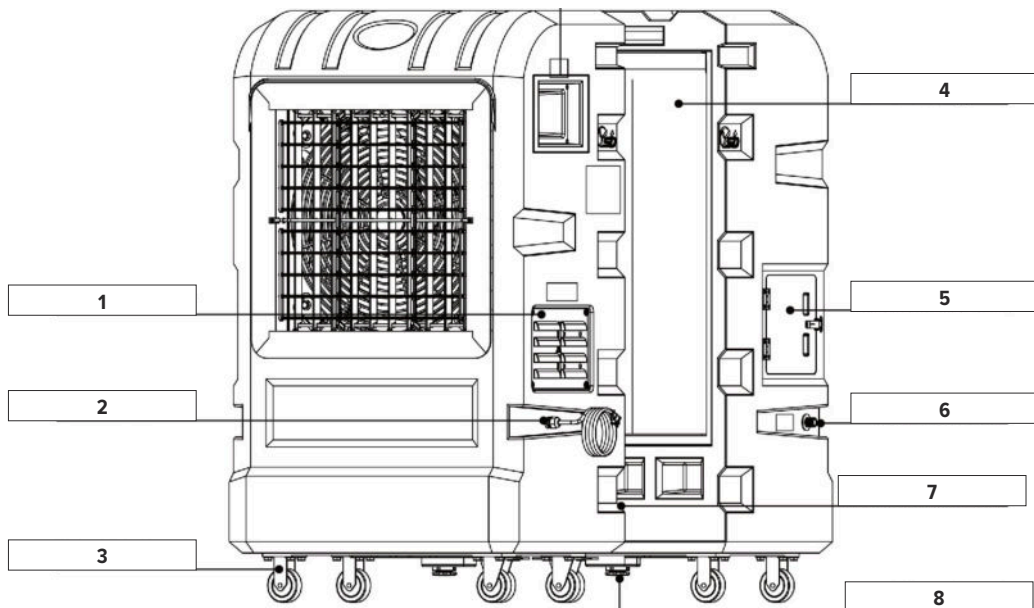
*(Ljudvolymdata detekteras på 3 meters håll och verifieras i olika omgivningar.)

****GARANTI**

Alla Rex Nordic-kylaggregat säljs med garanti mot defekter i material och utförande under en period av 2 år från inköpsdatumet. Garantin täcker inte vattenskador, felaktig hantering, färgbeständighet, färgfinish, olyckor eller slitage. Köpbevis krävs för alla eventuella anspråk.

1	Lock till invertern
2	Nätsladd
3	Hjulställ
4	Kylkudde

5	Iskubspåfyllning
6	Automatiskt vattenintag
7	Vattenmätare
8	Manuell avtappning





REX25000 Portabel vattenkylfläkt av invertertyp

MODELL	STOMME	BLAD	MOTOR	ROTATIONS- HASTIGHET	LJUDVOLYM (MAX.)	SPÄNNING (NORMAL)	GARANTI
REX25000	PE	30" 3 nylon 6 + fiberblad	680 W F klass	1100 r/min	60 dB*	1Ø230 V, 50 Hz	2 år **
STRÖM (MAX.)	STRÖMFÖRBRUK- NING (MAX.)	VINDFÅNG (MAX.)	STORLEK	VATTEN- BEHÅLLARE	VIKT	TOTALVIKT MED VATTEN	
5A ±10%	850W/h ±10%	20 meter upp	L 132 cm, B 69 cm, H 172 cm	170 l	100 kg	270 kg	

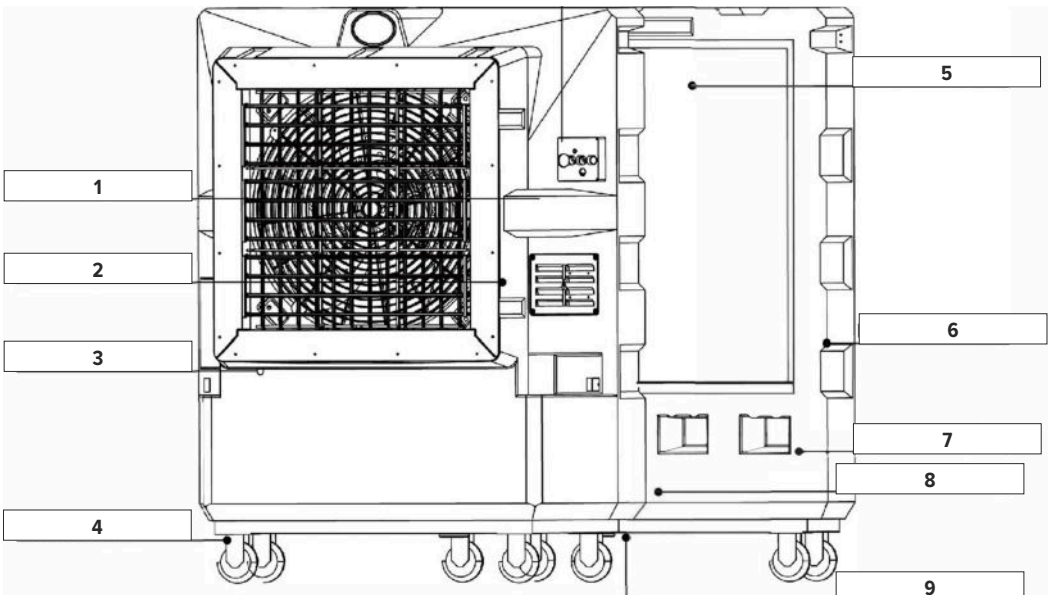
*(Ljudvolymdata detekteras på 3 meters håll och verifieras i olika omgivningar.)

**GARANTI

Alla Rex Nordic-kylaggregat säljs med garanti mot defekter i material och utförande under en period av 2 år från inköpsdatumet. Garantin täcker inte vattenskador, felaktig hantering, färgbeständighet, färgfinish, olyckor eller slitage. Köpbevis krävs för alla eventuella anspråk.

1	Nätsladdkrok
2	Lock till invertern
3	Automatiskt vattenintag
4	Hjulställ
5	Kylkudde

6	Iskubspåfyllning
7	Vattentank
8	Vattenmätare
9	Manuell avtappning





Vi är tacksamma för att du köpt vår produkt och uppskattar ditt förtroende. För att säkerställa korrekt och effektiv användning ska du läsa igenom denna bruksanvisning innan du använder produkten.

SÄKERHETSÅTGÄRDER

Koppla ur nätströmmen före rengöring och underhåll!



Gå igenom bruksanvisningen noggrant innan du använder vattenkylfläkten.



Öppna inte kontrollpanelen eller locket till invertern utan kvalificerad vägledning.



Använd inte kontrollpanelen och vidrör inte vid strömkontakten och inverters lock med våta händer.



Denna apparat har hög startström – därför ska stickkontakten ges ett eget uttag och inte dela uttag med annan utrustning. Välj en förlängningsladd på över 2,5 mm² (14 AWG) för vattenkylfläkten. Förlängningsladdan bör inte heller vara över 25 meter lång.



Undvik att använda gamla förlängningsladdar eller uttag. Håll kablarna borta från värme och eld. Placera inte kablarna där människor eller trafik rör sig, eftersom kablarna kan skadas om den körs över, trampas på eller dras i, vilket kan orsaka en olycka.



Ta inte bort den jordade delen av stickkontakten. Välj ett väl fungerande uttag av rätt typ, och använd inte ett uttag utan jordning. För din säkerhets skull ska du inte byta nätsladd eller kablarna till kontrollpanelen.



Denna enhet kan inte och får aldrig användas i miljöer med: (1) brandfarliga gaser, inklusive oljegas, bränslegas, rent syre, vätgas, etc. (2) brandfarlig vätska, såsom gas, toluen, etc. (3) damm eller kristaller med låg flampunkt, inklusive magnesium, platina, krut, etc.



Om fläkten inte fungerar som den ska ska du stänga av strömmen och kontrollera kabeln, uttaget och förlängningssladden. Efter kontrollen ska du starta om fläkten efter en stund. Om problemet inte försvinner ska du kontakta den återförsäljare du köpt fläkten av eller oss för att arrangera en reparation. Lossa inte delar och installera inte reservdelar på egen hand.



Placera vattenkylfläkten på ett plant underlag och trampa på bromsknappen under drift. Om du drabbas av en översvämningsskada ska du koppla ur fläkten och flytta den till en säker plats.



Om du inte ska använda kylfläkten på ett tag ska du öppna avtappningen längst ner för att släppa ut vattnet. Slå sedan på fläkten i 1–2 timmar för att torka kylkudden. Efter torkningen kan du koppla ur fläkten för förvaring.



Vill du fylla tanken manuellt ska du stänga av fläkten och öppna iskubspåfyllningen för att fylla vattnet. Se till att inget vatten finns i närheten av strömmen eftersom detta medför olycksrisk.



Vänd inte luftinloppssidan (kylkuddesidan) mot något brinnande eller rykande föremål, som till exempel tändstickor, aska, cigaretter, cigarrer, glödande kol, etc. Skador eller olyckor som orsakats av ovan nämnda problem täcks inte av garantin.



Öppna inte inverters kåpa, fläktens kåpa eller kylkudden på baksidan under drift. Kasta inte heller något mot fläkten eftersom detta kan öka risken för olyckor.



Vattenkylfläktarna är tunga. Var försiktig när du flyttar kylfläkten – risk för personskada finns om du stöter emot eller välter fläkten.



Öppna inte iskubspåfyllningen medan fläkten är igång. Att vidröra fläktblad som rör sig kan orsaka personskada och förstöra bladen.



När du rengör kylfläkten ska du inte spreja vatten på kontrollpanelen eller inverters lock eftersom detta kan skada produkten.



Det är inte tillåtet att konvertera, plocka isär eller reparera produkten utan instruktioner. Skador som orsakats av föregående problem täcks inte av garantin. Kontakta oss för support.



Det är inte tillåtet att konvertera eller byta fläktbladen på egen hand eftersom olycksrisk föreligger.



Flytta inte vattenkylfläkten genom att dra i den inkopplade slangen. Detta kan orsaka skador.

PRODUKTPRESTANDA



Justera fläkthastigheten fritt med det energibesparande steglösa inverterstyrssystemet. Koppla ur strömförsörjningen och dra ur kontakten då enheten inte ska användas eller då människor lämnar rummet.



Flytta runt fritt med hjulstället.



Evaporativt kylsystem. Kylning utan dimma.



Du kan tillsätta lite is för att förbättra kyleffekten.



Stor vattenbehållare för 4–6 timmars drift.



Lågvattnedetektor som gör att pumpen inte körs torr.



Filtererar damm samtidigt som luften kyls och blir fräschare.



Portabel lösning, ta med den vart du vill.



100 % tillverkad i Taiwan med hög kvalitet.



Stark och välbyggd PE-stomme.



Spara el i ett luftkonditionerat utrymme och kyl rummet snabbare.

BRUKSANVISNING

1 FÖLJ VILLKOREN NEDAN:



Anslut produkten till en enfasströmkälla på 220 V AC, 50 Hz. (Det finns en spänningssinstruktionsdekal på produkten.)



Spänningen bör inte vara mer än 10 % högre eller lägre än den indikerade spänningen.



Lämplig drifttemperatur: 0 °C~45 °C. Placera inte maskinen nära värme eller öppna låga.

2 När vattensnivån blir låg stannar pumpen automatiskt. Fyll tanken till max på skalan och överfyll inte.

3 Det är förbjudet att stå eller sitta på, eller placera saker på fläkten. Detta kan orsaka skador, att enheten välter, eller personskador när saker faller.

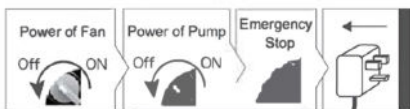
4 Se till att spännet på isbitspåfyllningen sitter fast efter användning.

5 Ta inte bort skyddet eller andra delar av fläkten eftersom det kan orsaka fläktskador eller olyckor.

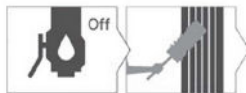
6 Tillhandahåll ett isolerat uttag eller en kabel till fläkten. Dela inte strömkällan med annan utrustning med hög strömförbrukning eftersom detta kan äventyra säkerheten.

7 Genom att stänga av pumpbrytaren kan du använda denna produkt med enbart fläktfunktion.

8 För att säkerställa bästa möjliga kyleffekt rekommenderar vi att du tvättar kylindynan och byter tankvattnet en gång i veckan. Öppna den manuella avtappningen längst ner och fyll sedan tanken igen. Följande rengöringsprocess ökar pumpens livslängd.



A. Observera! Stäng av fläkten före rengöringsprocessen av av fläkten, och koppla ur och flytta fläkten bort från strömkällan och annan utrustning.



B. Öppna den manuella avtappningen nedan och tvätta kylkudde med en mjuk borste uppifrån. Efter rengöringen ska du vänta tills spillvattnet runnit bort och sedan stänga avtappningen.



C. När du tvättar kylkudda ska du inte spruta vatten direkt på kontrollpanelen eller invertorns lock. Detta skadar motorstyrningen.



D. Torka av fläkthuset med en våt trasa, spruta inte vatten och torka inte med flyktiga vätskor.

9 **Produktskador orsakade av följande problem täcks inte av vår garanti.**

- A. Inkoppling med felaktig spänning.
- B. Användarorsakade skador vid hantering eller transport.
- C. Skador orsakade av naturkatastrofer.
- D. Konstruktionskador orsakade av flyktig vätska eller gas.
- E. Olycka eller skada orsakad av inkoppling eller uttagsdelning med annan utrustning.
- F. Skador som orsakats av konvertering eller byte av delar.
- G. Fel som orsakats av kabelförändringar.
- H. Skador orsakade av vattenstänk eller regn.
- I. Pumpsador orsakade av igensättning på grund av otillräcklig rengöring.

Kontakta oss om du har frågor.

FUNKTION OCH MANUAL

				
STEGLÖS FLÄKT-HASTIGHETSKONTROLL	KORTSLUTNINGSSKYDD	MJUKSTARTSMOTOR	LÅGVATTENSKYDD	ÖVERSTRÖMSSKYDD

ANVISNING

BRUKSANVISNING FÖR VATTENKYLFLÄKT

1 DRIFTPROCESS OCH AUTOMATISKT VATTENINTAG:

Anslut snabbkopplingen på vatteninloppsslangen i en kran och dra åt. Kontrollera och se till att den andra änden av slangen är fäst i kylfläkten. Öppna kranen och fyll vattenbehållaren till den högsta nivån på vattenmätaren. Slå på strömmen till pumpen (se kontrollpanelens instruktioner nedan) och låt vattnet blöta ner kylkudden i 1–2 minuter, slå sedan på strömmen till fläkten och justera fläkthastigheten. Genom att följa processen får du bästa möjliga kyleffekt av din fläkt.

2 KONTROLLPANELSINSTRUKTIONER:

1	Strömindikator
2	Ström/nödstopp
3	Pumpeffekt
4	Fläkteffekt
5	Fläkthastighetsregulator
6	Spjällfunktion



STRÖM/NÖDSTOPP

- Vrid nödstoppet förutt koppla strömmen.
- Tryck på knappen för att stänga av strömmen om en nödsituation inträffar. Följ på- och av-processen nedan för vanlig användning.
- **Varning: När du trycker på nödstoppet ska du starta om fläkten tidigast efter 20 sekunder.**

PUMPEFFEKT

- Slå på knappen, pumpen startar om det finns tillräckligt med vatten inne i tanken. Pumpen startar inte när vattennivån är låg. Fyll tanken före användning.

FLÄKTEFFEKT

- Slå på strömmen till fläkten och vrid fläkthastighetsregulatorn för att kontrollera hastigheten.

FLÄKTHASTIGHETSREGULATOR

- Kontrollera fläkthastigheten när strömmen till fläkten är på. Från 0–100, ju högre siffra desto snabbare fläkt.

SPJÄLLEFFEKT

- Styr de elektriska spjällen

SLÅ PÅ OCH STÄNGA AV



- 1 - Koppla in fläkten
- 2 - Slå på strömbrytaren
- 3 - Strömindikatorn lyser
- 4 - Slå på pumpen i 1–2 minuter för att blöta ner kyldynan
- 5 - Slå på strömmen till fläkten
- 6 - Reglera fläkthastigheten



- 1 - Stäng av pumpen och låt fläkten gå i 30 minuter för att torka ut kylmediet och stäng sedan av fläkten.
- 2 - Vrid hastighetsregulatorn till 0
- 3 - Stäng av strömmen till fläkten
- 4 - tryck på nödstoppet
- 5 - Koppla ur fläkten

INSTRUKTIONER PÅ ETIKETTER OCH SKYLTLAR

1~AC230V

Effektspecifikation

! WARNING / DANGEROUS**ELECTRIC SHOCK
OPERATE CAREFULLY****DON'T SPRAY WATER**

Inverter och styrenhet för fläkten är installerad här.
Torka av fläkten med en våt trasa. Om vatten sprutas
på enheten kan kryptström eller kortslutning uppstå.

! AVOID HIGH WATER PRESSURE**WATER IN**

Vatteninloppstrycket bör inte överstiga 4,5 bar.

WATER OUT

Manuell avtappning.
Öppna vid byte och rengöring.

! WARNING**RISK OF
DRAW IN****DANGEROUS
DON'T TOUCH**

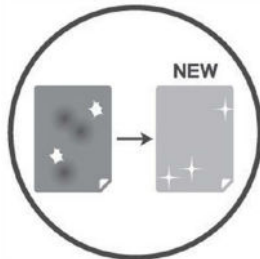
Närma dig inte och vidrör
inte fläkten under drift.

**Warning****Do not open it
when the fan
is running.**

Iskubspåfyllning

RENGRING OCH UNDERHÅLL
BYT VATTEN REGELBUNDET

- 1 Under användning ansamlas damm och partiklar inuti tanken. Detta kan sänka fläktens kylkapacitet och orsaka dålig lukt. Vi rekommenderar att vattnet i tanken byts minst en gång i veckan, eller fler gånger vid behov. Spruta inte vatten direkt på invertern eller kontrollpanelen.
- 2 Kylfläkten kan filtrera damm och partiklar. När du använder fläkten i ett område med dålig luft rekommenderar vi att den manuella avtappningen öppnas för att släppa ut vattnet efter varje användnings-tillfälle. Fyll tanken nästa gång vid behov.
- 3 Manuell avtappning: Längst ner på kylfläkten. Vrid vredet för att öppna och släpp ut vattnet. Vrid tillbaka efteråt.



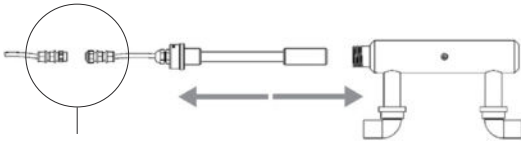
Kylkuddarna är förbrukningsvaror.
Kontakta oss eller vår distributör för byte
om de är fläckiga eller skadade.

RENGÖR UV-LAMPAN

1 Innan du startar processen ska du trycka på den röda knappen (Nödstopp).

2 Dra ur nätsladden för att undvika elektriska stötar.

När du har sett till att kylaggregatet är urkopplat ska du följa vägledningen nedan:



UVC-SNABBKOPPLING

3 Öppna iskubspåfyllningen och lossa snabbkopplingen på UV-ljusröret.

4 Lossa kabelgenomföringen.

5 Lossa det rostfria fästet.

6 Ta ut UV-ljusröret.

7 Kalkavlagringar kan avlägsnas genom att blötlägga röret i konsumenttillgängligt citronsyrabaserat kalkborttagningsmedel. Blötlägg röret i kalkborttagningsmedel och skölj väl. Följ instruktionerna för kalkborttagningsmedlet.

8 Skölj ljusröret med vatten för att tvätta bort lösningen. Sätt tillbaka UV-ljusröret till sitt lock i dess ursprungliga läge.

9 Anslut snabbkopplingen ordentligt och dra åt den ordentligt.

10 Stoppa in kabeln och fäst genomföringen.

11 Dra åt fästet i rostfritt stål.

12 När UV-ljusröret har installerats ska isbitspåfyllningen stängas och processen avslutas.

VARNING



1 FÖLJ VÄGLEDNINGEN I DENNA HANDBOK NOGGRANT. SKADOR PÅ EGENDOM OCH MÄNNISKOR SOM ORSAKATS AV FELAKTIG ANVÄNDNING TÄCKS INTE AV GARANTIN.

2 VI ANSVARAR INTE FÖR OLYCKOR SOM ORSAKATS AV EN PRODUKT SOM KONVERTERATS AV ANVÄNDAREN.

3 OM DU UPPTÄCKER ETT PROBLEM SOM KAN HA UPPSTÅTT UNDER LEVERANS SKA DU KONTAKTA OSS ELLER VÅR DISTRIBUTÖR I DITT LAND FÖR OMEDELBAR HJÄLP.

4 FÖR ATT UNDVIKA OLYCKOR ELLER SKADOR SKA DU FÖLJA REGLERNA NEDAN:

- Du måste före användning lära dig hur du använder maskinen på rätt sätt.
- Du måste före användning läsa igenom bruksanvisningen och ha kunskap om alla instruktioner.
- Du måste före användning läsa igenom bruksanvisningen och förstå instruktioner på etiketter och skyltar.

Innehållet i denna manual, inklusive specifikationerna och produkternas utformningar kan ändras utan föregående meddelande.


ØKO-KJØLERE
REX14000 Mobil fordampningskjøler

MODELL	EKSTERN RAMME	BLADER	MOTOR	ROTENDE HASTIGHET	LYDVOLUM (MAKS.)	SPENNING (VANLIG)	GARANTI
REX14000	PE	18" 3 Nylon 6 + Fiberblader	450 W F-klasse	1380 O/MIN	55 dB*	1Ø230 V, 50 Hz	2 år **
STRØM (MAKS.)	STRØMFORBRUK (MAKS.)	VINDHENTING (MAKS.)	STØRRELSE	VANNLAGRING	VEKT	TOTALVEKT MED VANN	
3.5A ±10%	510W/h ±10%	15 m opp	L 75" B 50" H 130 cm	50 L	45 kg	105 kg	

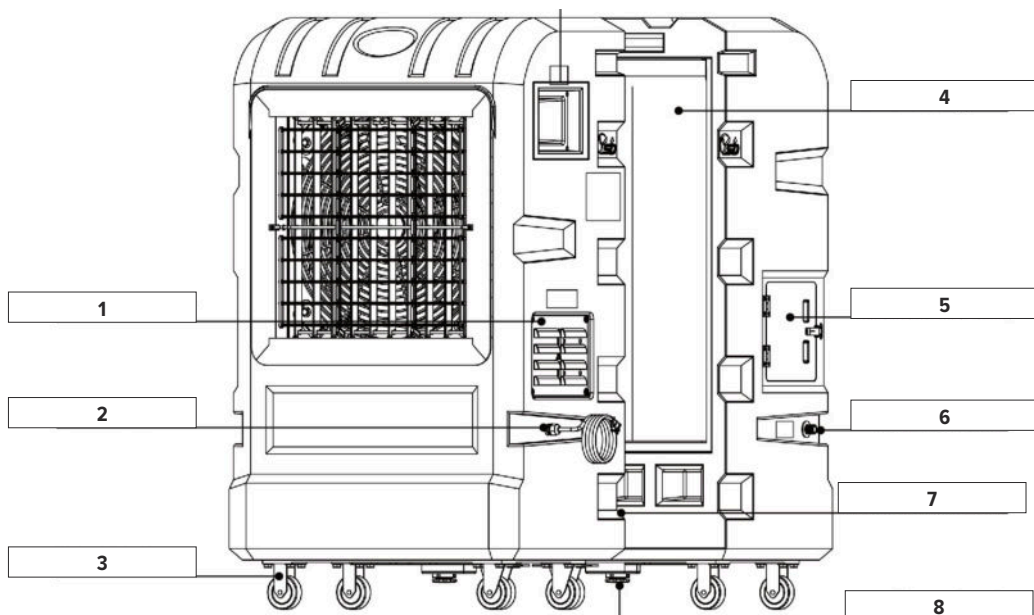
*(Lyddata måles på 3 meters avstand, og vil bli verifisert i forskjellige omgivelser.)

****GARANTI**

Alle Rex Nordic-kaldstartere er garantert mot defekter i materialer og utførelse i en periode på to år fra kjøpsdato. Garantien dekker ikke: vannskade, feil håndtering, fargeklarhet, fargefinish, ulykker eller slitasje. Kjøpsbevis kreves for alle krav.

1	Deksel til omformer
2	Strømledning
3	Hjulstativ
4	Kjølepute

5	Vanninntak
6	Automatisk vanninntak
7	Vannmåler
8	Manuell drenering





REX25000 Mobil fordampningskjøler

MODELL	EKSTERN RAMME	BLADER	MOTOR	ROTENDE HASTIGHET	LYDVOLUM (MAKS.)	SPENNING (VANLIG)	GARANTI
REX25000	PE	30" 3 Nylon 6 + Fiberblader	680 W F-klasse	1100 O/MIN	60 dB*	1Ø230 V, 50 Hz	2 år **
STRØM (MAKS.)	STRØMFORBRUK (MAKS.)	VINDHENTING (MAKS.)	STØRRELSE	VANNLAGRING	VEKT	TOTALVEKT MED VANN	
5A ±10%	850W/h ±10%	20 m opp	L 132" B 69" H 172 cm	170 L	100 kg	270 kg	

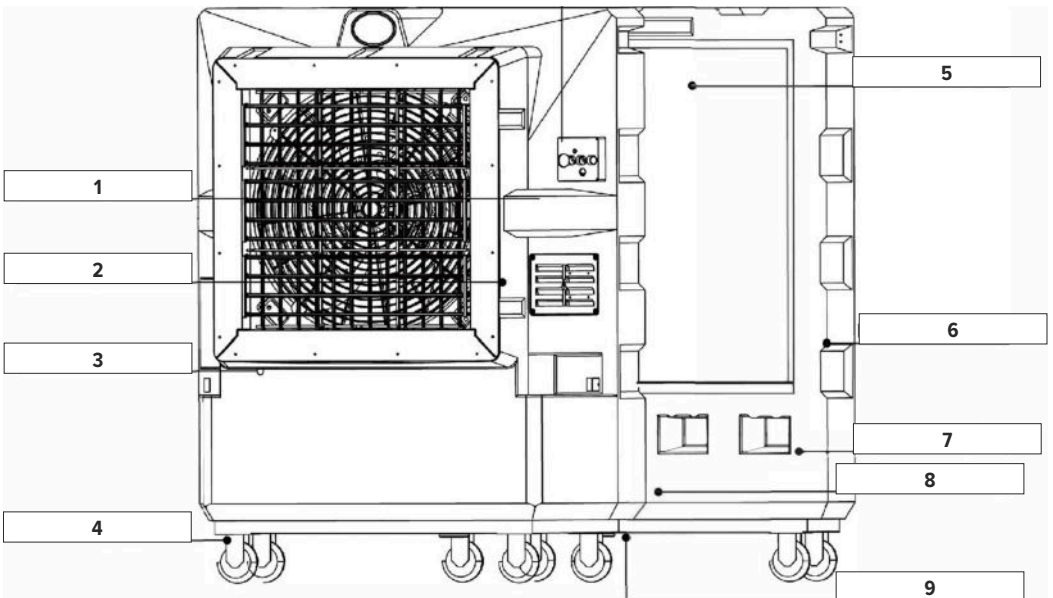
*(Lyddata måles på 3 meters avstand, og vil bli verifisert i forskjellige omgivelser.)

**GARANTI

Alle Rex Nordic-kaldstartere er garantert mot defekter i materialer og utførelse i en periode på to år fra kjøpsdato. Garantien dekker ikke: vannskade, feil håndtering, fargeklarhet, fargefinish, ulykker eller slitasje. Kjøpsbevis kreves for alle krav.

1	Strømledningskrok
2	Deksel til omformer
3	Automatisk vanninntak
4	Hjulstativ
5	Kjølepute

6	Vanninntak
7	Automatisk vanninntak
8	Vannmåler
9	Manuell drenering





For å sikre riktig og effektiv bruk av dette produktet anbefaler vi at du leser igjennom dentte instruksjonsheftet før produktet taes i bruk

SIKKERHETSTILTAK

Trekk ut støpselet før rengjøring og vedlikehold!



Gå gjennom håndboken grundig før du bruker fordampningskjøleren.



Ikke åpne kontrollpanelet eller dekselet til omformeren uten kvalifisert veiledning.



Ikke bruk kontrollpanelet, eller berør støpselet og dekselet til omformeren med våte hender.



Ikke del støpselet med annet utstyr på grunn av kjølerens høye startstrøm. Velg et strømføringsnett over 2,5 mm² (14 AWG) for produktet. Skjøteledningen bør heller ikke være lengre enn 25 m.



Unngå å bruke gamle skjøteledninger eller stikkontakter. Hold ledningene unna varme og ild. Ikke plasser ledningene der mennesker eller trafikk krysser for å forhindre at ledningen tråkkes på eller trekkes, noe som kan forårsake ulykker.



Ikke fjern den jordede delen av støpselet. Velg en riktig og tett stikkontakt, ikke bruk en uten jording. For din egen sikkerhet må du ikke endre strømføringsnetten eller ledningene til kontrollpanelet.



Denne enheten er ikke i stand til og bør aldri brukes til å trekke: (1) brennbare gasser, inkludert oljeggass, brenselgass, ren oksygen, hydrogengass, etc. (2) brennbar væske, som gass, toluen, etc. (3) støv eller krystall som har lavt flammepunkt, inkludert magnesium, platina, kruitt, etc.



Hvis kjøleren ikke fungerer som den skal, slå av strømmen og sjekk ledningen, stikkkontakten og skjøteledningen. Etter kontroll, start kjøleren på nytt etter en stund. Hvis problemet ikke er løst, ta kontakt der du kjøpte kjøleren eller kontakt oss for å avtale service. Ikke ta av eller bytt reservedeler på egen hånd.



Plasser fordampningskjøleren på et flatt underlag og sett på bremsepedalen mens den er i drift. Dersom det skulle bli flom, koble fra kjøleren og flytt den til et trygt sted



Dersom du ikke skal bruke kjøleren på en stund, åpner du avløpet nederst eller slår på automatisk drenering for å slippe ut vannet. La deretter viften gå i 1–2 timer for å tørke kjøleputen. Etter tørking, koble fra produktet for oppbevaring.



For å fylle tanken manuelt, slå av kjøleren og åpne vanninntaket for å fylle vannet. Sørg for at vannet er borte fra strøm for å forhindre ulykker.



Ikke vend luftinntakssiden (siden av kjøleputen) mot brennende eller rykende gjenstander, inkludert fyrstikker, aske, sigaretter, sigarer, kull osv. Skader eller ulykker forårsaket av det foregående problemet dekkes ikke av garantien.



Under drift må du ikke åpne dekselet til omformeren, dekselbeskyttelsen til kjøleren eller kjøleputen på baksiden; heller ikke kast noe inn i kjøleren for å unngå ulykker.



Fordampningskjøleren er tung. Vær forsiktig når du flytter produktet, ellers kan det føre til personskader hvis du støter på noe eller velter.



Ikke åpne vanninntaket mens fordampningskjøleren er i drift. Å nærme seg viftebladene i drift vil føre til personskader, og kan knekke bladene.



Mens du rengjør kjøleren, ikke spray vann på kontrollpanelet eller dekelet til omformeren for å unngå skade.



Ikke konverter, demonter eller reparer produktet uten instruksjon. Skader forårsaket av det foregående problemet dekkes ikke av garantien. Kontakt oss for støtte.



Ikke konverter eller bytt viftebladene på egen hånd for å unngå ulykker.



Ikke flytt fordampningskjøleren ved å trekke i festeslangen. Dette kan forårsake skade på produktet.

PRODUKTYTELSE



Juster viftehastigheten fritt med det strømsparende, trinnløse omformerkontrollsystemet. Kutt av den nedre forsyningen og trekk ut støpselet når det ikke er i bruk eller folk begir seg ut.



Beveg deg fritt med hjulstativet.



Fordampende kjølesystem. Avkjøl uten damp.



Du kan legge til litt is for å forbedre kjøleeffekten.



Stort vannlager for å støtte 4–6 timers drift.



Deteksjonsenhet for lite vannlagring for å unngå at pumpen brenner ut.



Filtrerer støv mens den kjøler ned luften, og produserer friskere luft.



Mobilt design, ta den med deg overalt.



Produsert 100 % i Taiwan med høy kvalitet.



Sterk og godt designet PE-rammestruktur.



Spar strøm i et luftkondisjonert rom og avkjøl rommet raskere.

BRUKSANVISNING

1 FØLG BETINGELSENE NEDENFOR:



Koble produktet til AC 220 V, 50 Hz, enfaset strømkilde. (Det er et spenningsinstruksjonsklistremerke på produktet.)



Strømspanningen bør ikke være 10 % høyere eller lavere enn den angitte spenningen.



Egnet driftstemperatur: 0 °C ~ 45 °C.
Ikke plasser maskinen i nærheten av varme eller ild.

2 Når vannlagringsnivået blir lavt, stopper pumpen automatisk. Fyll tanken til det maksimale av skalaen og ikke overfyll.

3 Ikke stå, sitt eller plasser ting på fordampningskjøleren. Det kan forårsake skade, velte eller personskade når ting faller.

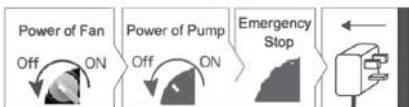
4 Hold spennen til vanninntaket festet etter bruk.

5 Ikke løsne dekselbeskyttelsen og andre deler av kjøleren, det kan det forårsake skade.

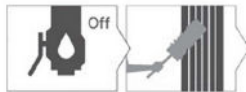
6 Bruk en isolert stikkontakt eller kabel for kjøleren. Ikke del strømkilden med annet utstyr med høyt strømforbruk for å sikre sikkerheten.

7 Ved å slå av pumpebryteren kan du bruke dette produktet med kun viftefunksjonen.

8 For å sikre best mulig kjøleeffekt, foreslår vi at du vasker kjøleputen og skifter tankvann en gang hver uke. Åpne det manuelle avløpet nederst, og fyll deretter tanken igjen. Følgende rengjøringsprosess forlenger pumpens levetid.



A. OBS! Før rengjøringsprosessen, slå av produktet, plugg ut og flytt fordampningskjøleren bort fra strømkilden og annet utstyr.



B. Åpne det manuelle avløpet nedenfor, og vask kjøleputen med myk børste fra toppen. Etter vask, vent til avløpsvannet renner bort, og lukk deretter avløpet.



C. Når du vasker kjøleputen, må du ikke spraye vann direkte på kontrollpanelet eller dekslet til omformeren. Dette vil skade motor-kontrolleren.



D. Tørk av viftehuset med et vått håndkle, ikke spray vann eller tørk det med flyktig væske.

9 **Produktskader forårsaket av følgende problemer dekkes ikke av garantien vår.**

- A. Strømtilkopling med feil spenning.
- B. Skade under håndtering eller under transport forårsaket av brukere.
- C. Skader forårsaket av naturkatastrofer.
- D. Strukturelle skader forårsaket av flyktig væske eller gass.
- E. Ulykke eller skade forårsaket av ledningsforbindelse eller strømdeling med annet utstyr.
- F. Skade forårsaket av ombygging eller endring av delene.
- G. Feil forårsaket av ledningsforandring.
- H. Skade forårsaket av vannsprut eller regn.
- I. Pumpeskader forårsaket av tilstopping på grunn av uforsiktig rengjøring.

Ta kontakt med oss for eventuelle spørsmål.

FUNKSJON OG HÅNDBOK

				
TRINNLØS VIFTE- HASTIGHETSKONTROLL	KORTSLUTNINGS- BESKYTTELSE	MYKSTART AV MOTOR	LAVT VANNIVÅ- BESKYTTELSE	OVERSTRØMS- BESKYTTELSE

BRUKSANVISNING FOR FORDAMPNINGSKJØLER

1 DRIFTSPROSESS OG AUTOMATISK VANNINNTAK:

Fest hurtigkoblingen til vanninntaksslangen til en kran, og stram den. Sjekk og sørg for at den andre enden av kontakten er festet til kjøleren. Åpne kranen og fyll vanntanken til det høyeste nivået på vannlagringskalaen. Slå på strømmen til pumpen (se kontrollpanelinstruksjonen nedenfor), og la vannet fukte kjøleputen i 1–2 minutter, slå deretter på strømmen til viften og juster viftehastigheten. Ved å følge prosessen vil du få den beste kjøleeffekten av fordampningskjøleren din.

2 KONTROLLPANELINSTRUKSJONER:

1	Strømindikator
2	Strøm-/nødstopp
3	Pumpens effekt
4	Viftens effekt
5	Hastighetsregulator
6	Skoddenes ytelse



STRØM-/NØDSTOPP

- Vri knappen og tenn strømindikatoren.
- Trykk på knappen for å slå av strømmen når en nødssituasjon oppstår. Følg av- og på-prosessen nedenfor for vanlig bruk.

OBS: Når du trykker på nødstoppen, start viften på nytt etter 20 sekunder.

START AV PUMPEN

- Slå på knappen, pumpen vil starte ettersom det er nok vann inne i tanken. Pumpen vil ikke starte når vannstanden er lav. Fyll tanken før bruk.

KJØLERENS YTELSE

- Slå på strømmen til kjøleren og vri hastighetsregulatoren for å kontrollere hastigheten.

HASTIGHETSREGULATOREN

- Kontroller viftehastigheten mens strømmen til fordampningskjøleren er på.
- Fra 0–100; jo høyere tall, jo raskere er viften.

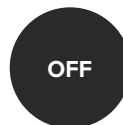
SKODDENES YTELSE

- Kontroller de elektriske skoddene

SLÅ PÅ OG AV



- 1 - Plugg inn fordampningskjøleren
- 2 - Slå på strømbryteren
- 3 - Strømindikatoren lyser
- 4 - Slå på strømmen til pumpen i 1–2 min. for å la kjøleputen bli fuktig
- 5 - Slå på strømmen til viften
- 6 - Reguler viftehastigheten



- 1 - Slå av pumpen og la viften gå i 30 minutter for å tørke ut kjølemediet, og slå deretter av fordampningskjøleren.
- 2 - Vri hastighetsregulatoren til 0
- 3 - Slå av strømmen til viften
- 4 - Trykk på nødstoppen
- 5 - Koble fra viften

ETIKETT MED INSTRUKSJONSSKILT

1~AC230V

Strømspesifikasjon

! WARNING / DANGEROUS**ELECTRIC SHOCK
OPERATE CAREFULLY****DON'T SPRAY WATER**

Omformer og kontroller til kjøleren er installert her.
Tørk av produktet med et vått håndkle. Sprøyting av vann kan forårsake elektrisk lekkasje eller kortslutning.

! AVOID HIGH WATER PRESSURE**WATER IN**

Vanninnløpstrykket bør ikke være over 4,5 bar.

WATER OUT

Manuell drenering.
Åpen ved skift og vask.

! WARNING**RISK OF
DRAW IN****DANGEROUS
DON'T TOUCH**

Ikke nær deg eller berør
kjøleren mens den er i drift.

! Warning**Do not open it
when the fan
is running.**

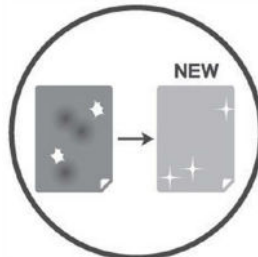
Vanninntak

RENGJØRING OG VEDLIKEHOLD
SKIFT VANNET REGELMESSIG

1 Under bruk vil støv og partikler avsettes inne i tanken. Dette kan redusere kjølekapasiteten til produktet og føre til dårlig lukt. Vi foreslår å skifte vannet i tanken minst en gang i uken; tilsett flere ganger om nødvendig. Heller ikke spray vann direkte i omformeren eller kontrollpanelet.

2 Fordampningskjøleren kan filtrere støv og partikler. Ved bruk av produktet i et område med dårlig luft, foreslår vi å åpne det manuelle avløpet for å slippe ut vannet etter bruk. Fyll tanken neste gang ved behov.

3 Manuell drenering: I bunnen av kjøleren. Vri knappen for å åpne og slippe ut vannet. Vri den tilbake etterpå.

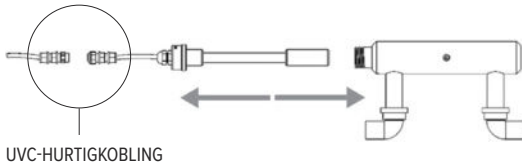


Kjøleputene er forbruksvarer. Ta kontakt med oss eller distributøren vår for erstatning når de har flekker eller er skadet.

RENGJØRINGSPROSESS MED UV-LYS

- 1** Før du starter prosessen, trykk på den røde knappen (nødstop).
- 2** Trekk ut strømledningen for å unngå elektrisk støt.

Etter å ha kontrollert at kjøleren er koblet fra, følg veiledningen nedenfor:



UVC-HURTIGKOBLING

- 3** Åpne vanningsgangen og løsne hurtigkoblingen til UV-lysrøret.
- 4** Løsne kabelmuffen.
- 5** Løsne festet i rustfritt stål.
- 6** Ta ut UV-lysrøret.
- 7** Kalkbelegget kan fjernes ved å bløtlegge røret i forbrukertilgjengelig sitronsyrebaseret kalkfjerner. Bløtlegg røret i kalkfjerner og skylld godt. Følg instruksjonene for kalkfjernerene.
- 8** Skyll lysrøret med vann for å vaske løsningen. Sett UV-lysrøret tilbake i dekselet i sin opprinnelige posisjon.
- 9** Koble hurtigkoblingen riktig og fest den godt.
- 10** Stikk kabelen inn og fest pakningen.
- 11** Fest festet i rustfritt stål.
- 12** Etter å ha installert UV-lysrøret, lukk isbitninggangen og fullfør prosessen.

ADVARSEL



- 1** FØLG VEILEDNINGEN I DENNE HÅNDBOKEN NØYAKTIG. SKADER OG PERSONSKADER FORÅRSAKET AV FEIL BRUK DEKKES IKKE AV GARANTIE.
- 2** VI ER IKKE ANSVARLIGE FOR ULYKKER FORÅRSAKET AV PRODUKT KONVERTERT AV BRUKERE.
- 3** NÅR DU OPPDAGER ET PROBLEM SOM KAN OPPSTÅ UNDER LEVERINGEN, KONTAKT OSS ELLER DISTRIBUTØREN VÅR I LANDET DITT FOR UMIDDELBAR HJELP.
- 4** FOR Å UNNGÅ ULYKKER ELLER SKADER, FØLG PUNKTENEDENFOR:
 - Du må lære hvordan du bruker maskinen riktig før bruk.
 - Du må lese gjennom bruksanvisningen og ha kunnskap om alle instruksjonene før bruk.
 - Du må lese gjennom bruksanvisningen og forstå instruksjonsskiltet på etiketten før bruk.

Innholdet i denne håndboken, inkludert spesifikasjonene og utformingen av produktene, kan endres uten forvarsel.


ECO KØLERE
REX14000 Bærbar inverter vandkølede blæser

MODEL	UDVENDIG RAMME	BLADE	MOTOR	ROTATIONSHA- STIGHED	LYDSTYRKE (MAKS.)	SPÆNDING (ALMINDELIG)	GARANTI
REX14000	PE	18" 3 Nylon 6 + fiberblade	450 W F-klasse	1380 RPM	55dB	1Ø230 V, 50 Hz	2 år **
STRØM (MAKS.)	STRØMFORBRUG (MAKS.)	VINDHASTIGHED (MAKS.)	STØRRELSE:	VANDTANK	VÆGT	SAMLET VÆGT MED VAND	
3.5A ±10%	510W/h ±10%	15 m op	L 75*B50*H 130 cm	50 L	45 kg	105 kg	

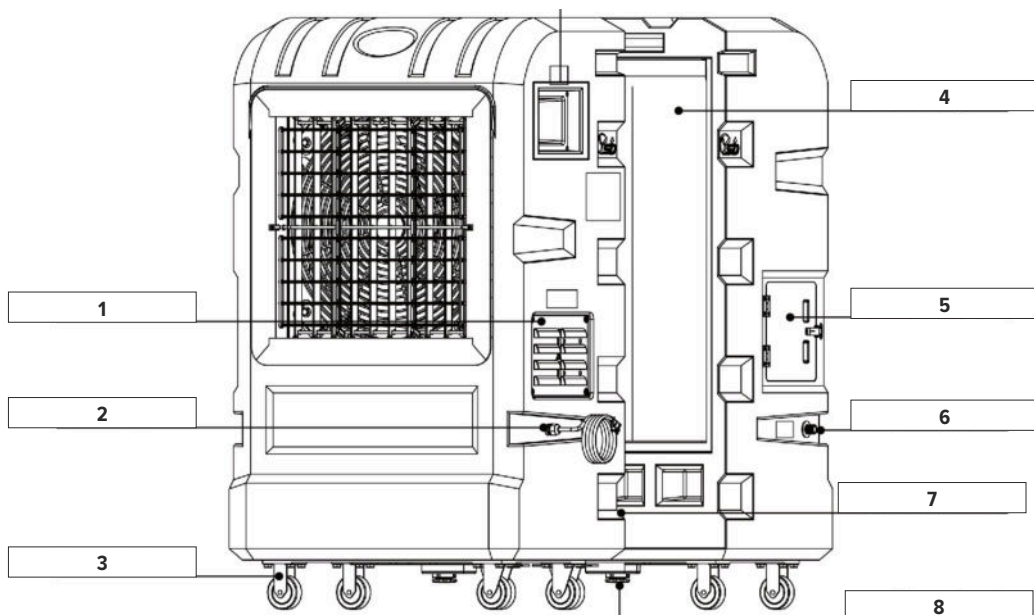
* (Lydstyrken registreres fra 3 meters afstand og vil blive verificeret i forskellige omgivelser).

****GARANTI**

Alle Rex Nordic Eco-kølere er garanteret mod materiale- og fabriktionsfejl i en periode på 2 år fra købsdatoen.
 Garantien dækker ikke: vandskade, forkert håndtering, farveklarhed, farvefinish, ulykker eller slitage. Købsbevis er påkrævet i forbindelse med alle krav.

1	Dæksel til inverter
2	Strømledning
3	Hjulstativ
4	Vandkølepude

5	Isterning-indgang
6	Automatisk vandindtag
7	Vandtankmåler
8	Manuel dræning





REX25000 Bærbar inverter vandkølede blæser

MODEL:	UDVENDIG RAMME	BLADE	MOTOR	ROTATIONSHA- STIGHED	LYDSTYRKE (MAKS.)	SPÆNDING (ALMINDELIG)	GARANTI
REX25000	PE	30" 3 Nylon 6 + fiberblade	680 W F-klasse	1100 RPM	60 dB*	1Ø230 V, 50 Hz	2 år **
STRØM (MAKS.)	STRØMFORBRUG (MAKS.)	VINDHASTIGHED (MAKS.)	STØRRELSE:	VANDTANK	VÆGT	SAMLET VÆGT MED VAND	
5A ±10%	850W/h ±10%	20 m op	L 132" W69" H 172 cm	170 L	100 kg	270 kg	

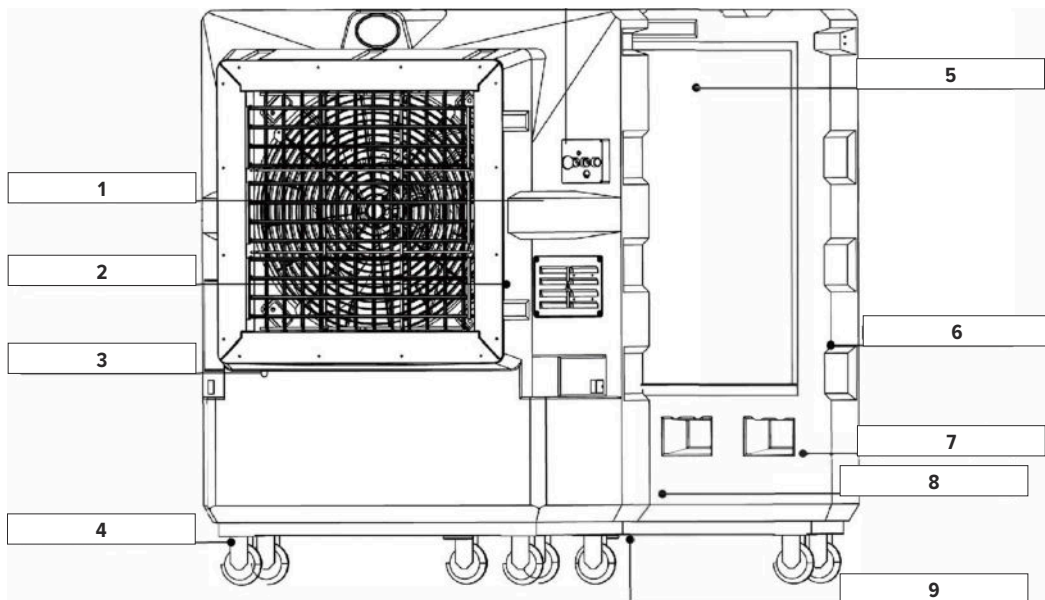
* (Lydstyrken registreres fra 3 meters afstand og vil blive verificeret i forskellige omgivelser).

**GARANTI

Alle Rex Nordic Eco-kølere er garanteret mod materiale- og fabriktionsfejl i en periode på 2 år fra købsdatoen. Garantien dækker ikke: vandskade, forkert håndtering, farveklarhed, farvefinish, ulykker eller slitage. Købsbevis er påkrævet i forbindelse med alle krav.

1	Krog til strømledning
2	Dæksel til inverter
3	Automatisk vandindtag
4	Hjulstativ
5	Vandkølepude

6	Isterning-indgang
7	Vandtank
8	Vandtankmåler
9	Manuel dræning





Vi værdsætter oprigtigt din tillid og støtte til vores produkt. For at sikre korrekt og effektiv brug, bedes du læse denne vejledning igennem, før du tager dette produkt i brug.

SIKKERHEDSFORANSTALTNINGER

Tag stikket ud af stikkontakten før rengøring og vedligeholdelse!



Gennemgå manualen grundigt, før du betjener den vandkølede blæser.



Åbn ikke kontrolpanelet eller dækslet på inverteren uden kvalificeret vejledning.



Betjen ikke kontrolpanelet, og rør ikke ved strømstikket og dækslet på inverteren med våde hænder.



Del ikke stikket med andet udstyr på grund af blæserens høje startstrøm. Vælg et mere end 2,5 mm² (14 AWG) forlængerledningssæt til den vandkølede blæser. Desuden bør forlængerledningen ikke være på mere end 25 m.



Undgå at bruge gamle forlængerledninger eller stikkontakter. Hold ledningerne væk fra varmekilder og ild. Placer ikke ledningerne på steder, hvor der er mennesker eller trafik for at forhindre, at der trædes på eller trækkes i ledningen, fordi dette kan forårsage ulykker.



Fjern ikke den jordede del af stikket. Vælg en sikkerhedsmæssigt forsvarlig stikkontakt, brug ikke en kontakt uden jordforbindelse. Af hensyn til din egen sikkerhed må du ikke ændre strømledningen eller ledningerne til kontrolpanelet.



Denne enhed er ikke i stand til og må aldrig bruges sammen med: (1) brandfarlige gasser, herunder oliegas, brændgas, ren oxygen, brintgas osv. (2) brandfarlige væsker, såsom gas, toluen osv. (3) støv eller krystal som har et lavt flammepunkt, herunder magnesium, platin, krudt osv.



Hvis blæseren ikke fungerer godt, skal du slukke for strømmen og kontrollere ledning, stikdåse og forlængerledning. Efter kontrol genstartes blæseren efter et stykke tid. Hvis problemet ikke er løst, bedes du kontakte det sted, hvor du købte blæseren, eller kontakte os for at arrangere reparationservice. Afmonter eller udskift ikke reservedele på egen hånd.



Placer den vandkølede blæser på et fladt underlag, og trød på bremseknappen, hvis enheden kører. Hvis du støder på skader som følge af oversvømmelse, skal du frakoble blæseren og flytte den til et sikkert sted.



Når du ikke bruger kølblæseren i et stykke tid, skal du åbne afløbet i bunden eller tænde for automatisk dræning for at lade vandet komme ud. Tænd derefter blæseren i 1-2 timer for at tørre kølepuden. Efter tørring skal du frakoble blæseren fra strømkilden med henblik på opbevaring.



Hvis du vil fylde tanken manuelt, skal du slukke for blæseren og åbne isterningindgangen for at fylde vand på. Sørg for, at vandet ikke er i nærheden af strømkilden for at forhindre ulykker.



Vend ikke luftindtagssiden (kølepudesignen) mod nogen brændende eller rygende genstand, herunder tændstikker, aske, cigaret, cigar, kul osv. Skader eller ulykker, der skyldes det ovenfor nævnte problem, er ikke dækket af garantien.



Når enheden kører, må du ikke åbne invertorens dæksel, blæserens dæksel eller kølepuden på bagsiden; kast heller ikke noget mod blæseren for at undgå ulykker.



Vandkølede blæsere er tunge. Vær forsigtig, når du flytter kølblæseren. Det kan forårsage personskade, hvis enheden stødes, eller den vælter.



Åbn ikke isterning-indgangen, mens blæseren kører. Hvis du nærmer dig de kørende blæserblade, kan du komme til skade, og bladene kan knække.



Under rengøring af kølblæseren må der ikke sprøjtes vand på kontrolpanelet eller invertrens dæksel for at undgå beskadigelse.



Produktet må ikke ombygges, skilles ad eller repareres uden instruktion. Skader forårsaget af det problem, der er angivet ovenfor, er ikke dækket af garantien. Du bedes kontakte os for at få support.



Du må ikke selv ombygge eller udskifte blæserbladene for at undgå ulykker.



Flyt ikke den vandkølede blæser ved at trække i slangen. Dette kan beskadige blæseren.



Du kan tilsætte noget is for at forbedre køleeffekten.



Stor vandtank understøtter 4-6 timers drift.



Enhed til detektering af lavt vandniveau for at undgå, at pumpen brænder sammen.



Filtrerer støv, mens luften køles, og giver friskere luft.



Bærbart design, tag enheden med dig overalt.



100 % fremstillet i Taiwan med høj kvalitet.



Stærk og veldesignet PE-rammekonstruktion.



Fordampningskølesystem.
Køling, uden at der afgives vandtåge.

Spar strøm i et airconditioneret rum, og køl rummet hurtigere ned.

PRODUKTETS YDEEVNE



Juster blæserhastigheden frit med det strømbesparende trinløse inverterstyringssystem. Sluk for strømforsyningen, og træk stikket ud, når enheden ikke anvendes, eller folk forlader lokalet.



Bevæg dig frit med hjulstativet.



Fordampningskølesystem.
Køling, uden at der afgives vandtåge.

Spar strøm i et airconditioneret rum, og køl rummet hurtigere ned.

BETJENINGSVEJLEDNING

1 FØLG NEDENSTÅENDE ANVISNINGER:



Tilslut produktet til en AC 220 V, 50 Hz, enfaset strømkilde. (Der er en mærkat med spændingsinstruktioner på produktet).



Strømspændingen må ikke være 10 % højere eller lavere end den angivne spænding.



Passende driftstemperatur: 0 °C~45 °C. Anbring ikke maskinen i nærheden af varme eller ild.

2 Når vandtankniveauet bliver lavt, stopper pumpen automatisk. Fyld tanken op til maksimum på måleren, og overfyld ikke.

3 Du må ikke stå på, sidde på eller anbringe genstande på blæseren. Det kan forårsage beskadigelse, væltning eller personskade, når genstande falder ned.

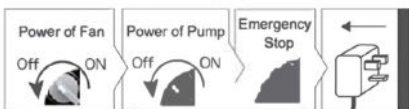
4 Hold bøjen på isterning-indgangen fast efter brug.

5 Afmonter ikke dækslet og andre dele af blæseren, da dette kan beskadige blæseren eller forårsage ulykker.

6 Sørg for, at der er et isoleret stik eller kabel til blæseren. Del ikke strømkilden med andet udstyr med højt strømforbrug af hensyn til sikkerheden.

7 Ved at slukke for pumpekontakten kan produktet anvendes udelukkende som blæser.

8 For at sikre den bedste køleeffekt anbefaler vi, at du vasker kølepuden og udskifter vandet i tanken én gang om ugen. Åbn det manuelle afløb i bunden, og fyld derefter tanken igen. Den følgende rengøringsproces forlænger pumpens levetid.



A. Bemærk! Inden rengøringsprocessen skal du slukke for blæseren, tage stikket ud og flytte blæseren væk fra strømkilden og andet udstyr.



B. Åbn det manuelle afløb nedenfor, og vask kølepuden med en blød børste fra toppen. Efter vask skal du vente, indtil spildevandet er løbet væk og derefter lukke afløbet.



C. Når du vasker kølepuden, må du ikke sprøjte vand direkte på kontrolpanelet eller dækslet på inverteren. Dette vil beskadige motor-controlleren.




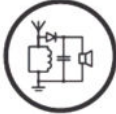



D. Tør blæserhuset af med et fugtigt håndklæde, sprøjt ikke vand på det, og tør det ikke af med flygtige væsker.

9 **Produktskader, der skyldes nedenstående problemer, er ikke dækket af vores garanti.**

- A. Strømtilslutning med forkert spænding.
- B. Skader under håndtering eller under transport forårsaget af brugere.
- C. Skader forårsaget af naturkatastrofer.
- D. Skader på konstruktionen forårsaget af flygtig væske eller gas.
- E. Ulykke eller beskadigelse forårsaget af ledningsforbindelse eller strømdeling med andet udstyr.
- F. Skader forårsaget af ombygning eller ændring af delene.
- G. Funktionsfejl forårsaget af ledningsændring.
- H. Skader forårsaget af vandsprøjt eller regn.
- I. Pumpeskader forårsaget af tilstopning på grund af skødesløs rengøring.

Kontakt os, hvis du har spørgsmål.

FUNKTION OG MANUAL

				
TRINLØS STYRING AF BLÆSERHASTIGHED	BESKYTTELSE MOD KORTSLUTNING	MOTOR MED SOFT-START	BESKYTTELSE MOD LAVT VANDNIVEAU	OVERSTRØMS-BESKYTTELSE

INSTRUKTION

BETJENINGSVEJLEDNING TIL VANDKØLENDE BLÆSER

1 BETJENINGSPROCES OG AUTOMATISK VANDINDTAG:

Fastgør vandtilførselslængens lynkobling til en vandhane, og tilspænd den. Kontrollér og sørg for, at den anden ende af stikket er fastgjort til køleblæseren. Åbn vandhanen, og fyld vandtanken til det højeste niveau på vandtankmåleren. Tænd for pumpen (se anvisningerne på kontrolpanelet nedenfor), og lad vandet fugte kølepuden i 1-2 minutter, tænd derefter for blæseren, og juster blæserhastigheden. Ved at følge denne proces opnår du den bedste køleeffekt af din blæser.

2 KONTROLPANELINSTRUKTION:

1	Strømindikator
2	Strøm/Nødstop
3	Pumpens effekt
4	Blæserens effekt
5	Styring af blæserhastighed
6	Skoddernes virkning



STRØM/NØDSTOP

- Drej knappen, og tænd strømindikatoren.
- Tryk på knappen for at slukke for strømmen, hvis der opstår en nødsituation. Følg tænd- og slukprocessen nedenfor ved normal brug.

Bemærk: Når du trykker på nødstopet, skal du genstarte blæseren efter 20 sekunder.

PUMPEEFFEKT

- Tænd for knappen, og pumpen starter, når der er tilstrækkeligt vand i tanken. Pumpen vil ikke starte, når vandniveauet er lavt. Fyld tanken før brug.

BLÆSEREFFEKT

- Tænd for blæseren, og drej på blæserens hastighedsregulator for at styre hastigheden.

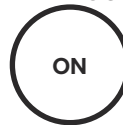
STYRING AF BLÆSERHASTIGHED

- Styr blæserhastigheden, når blæseren er tændt. Fra 0-100; jo højere tal, jo hurtigere kører blæseren.

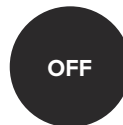
SKODDERNES VIRKNING

- Styr de elektriske skodder

TÆND OG SLUK



- 1 - Tilslut blæseren
- 2 - Tænd for strømafbryderen
- 3 - Strømindikatoren lyser op
- 4 - Tænd for pumpen i 1-2 min. for at gøre kølepuden våd
- 5 - Tænd for blæseren
- 6 - Regulér blæserhastigheden



- 1 - Sluk for pumpen og lad blæseren køre i 30 minutter for at tørre kølemediet ud, og sluk derefter blæseren.
- 2 - Drej hastighedsregulatoren til 0
- 3 - Sluk for blæseren
- 4 - tryk på nødstopet
- 5 - Tag ventilatoren ud

INSTRUKTIONSMÆRKATER

1~AC230V

Strømspecifikation

! WARNING / DANGEROUS**ELECTRIC SHOCK
OPERATE CAREFULLY****DON'T SPRAY WATER**

Inverter og blæser-controller er installeret her. Tør blæseren af med et fugtigt håndklæde. Vandsprøjt kan forårsage elektrisk lækage eller kortslutning.

! AVOID HIGH WATER PRESSURE**WATER IN**

Vandtilførselstrykket bør ikke være over 4,5 bar.

WATER OUT

Manuelt afløb. Åben ved skift og vask.

! WARNING**RISK OF
DRAW IN****DANGEROUS
DON'T TOUCH**

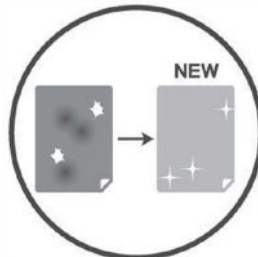
Undgå at nærme dig eller røre ved blæseren, mens den kører.

! Warning**Do not open it
when the fan
is running.**

Isterning-indgang

RENGØRING OG VEDLIGEHOLDELSE
UDSKIFT VANDET REGELMÆSSIGT

- 1 Under brug aflejres støv og partikler inde i tanken. Det kan nedsætte blæserens kølekapacitet og give dårlig lugt. Vi anbefaler, at du udskifter vandet i tanken mindst én gang om ugen, og at du gør det flere gange, hvis det er nødvendigt. Og sprøjt ikke vand direkte til inverteren eller kontrolpanelet.
- 2 Køleblæseren kan filtrere støv og partikler. Når blæseren anvendes i et område med dårlig luft, anbefaler vi, at du åbner det manuelle afløb for at lukke vandet ud efter brug. Fyld tanken næste gang, når det er nødvendigt.
- 3 Manuel tømning: Foretages i bunden af køleblæseren. Drej knappen for at åbne og lukke vandet ud. Drej den tilbage bagefter.



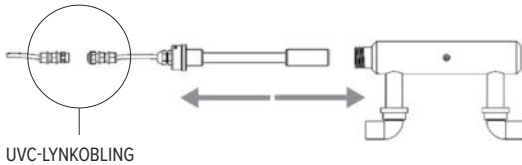
Kølepuderne er forbrugsvarer. Kontakt os eller vores distributør med henblik på udskiftning, når kølepuderne er plettede eller beskadigede.

RENGØRINGSPROCES MED UV-LYS

1 Før du starter processen, skal du trykke på den røde knap (nødstop).

2 Tag netledningen ud for at undgå elektrisk stød.

Når du har sikret dig, at køleren er taget ud af stikkontakten, skal du følge vejledningen nedenfor:



UV-LYNKOBLING

3 Åbn isterning-indgangen, og løsn lynkoblingen på UV-lysrøret.

4 Løsn kabelforskrningen.

5 Løsn det rustfri stålbeslag.

6 Tag UV-lysrøret ud.

7 Kalken kan fjernes ved at lægge røret i blød i citronsyrebaseret kalkfjerner, der kan købes af forbrugere. Læg røret i blød i kalkfjerner, og skyl det grundigt. Følg anvisningerne i kalkfjerner.

8 Skyl lysrøret med vand for at vaske opløsningen. Sæt UV-lysrøret tilbage i dækslet i dets oprindelige position.

9 Tilslut lynkoblingen korrekt, og spænd den fast.

10 Sæt kablet i, og fastgør forskrningen.

11 Fastgør det rustfri stålbeslag.

12 Efter installation af UV-lysrøret skal du lukke isterning-indgangen og afslutte processen.

ADVARSEL



1 FØLG ANVISNINGERNE I DENNE MANUAL NØJAGTIGT. SKADER OG KVÆSTELSER, DER SKYLDES FORKERT BRUG, ER IKKE DÆKKET AF GARANTIE.

2 VI ER IKKE ANSVARLIGE FOR ULYKKER FORÅRSAGET AF PRODUKTER, DER ER OMBYGGET AF BRUGERNE.

3 HVIS DU OPDAGER ET PROBLEM, SOM KAN VÆRE OPSTÅET UNDER LEVERINGEN, BEDES DU KONTAKTE OS ELLER VORES DISTRIBUTØR I DIT LAND FOR HURTIG HJÆLP.

4 FØLG NEDENSTÅENDE REGLER FOR AT UNDGÅ ULYKKER ELLER SKADER:

- Du skal lære at betjene maskinen korrekt, før du tager den i brug.
- Du skal læse manualen igennem og have kendskab til alle instruktionerne, før du tager enheden i brug.
- Du skal læse manualen igennem og forstå instruktionsmærkaterne, før du tager enheden i brug.

Indholdet af denne manual, herunder specifikationer og produkternes design, kan ændres uden forudgående varsel.


ECO KÜHLER
REX14000 Tragbarer Ventilator mit Wasserkühlung, mit Wechselrichter

MODELL	EXTERNER RAHMEN	FLÜGEL	MOTOR	DREHGESCH-WINDIGKEIT	LÄRMPEGEL (MAX.)	SPANNUNG (NORMAL)	GARANTIE
REX14000	PE	18" 3 Nylon 6 + Faser-Flügel	450 W Klasse F	1380 min-1	55dB	1Ø230 V, 50 Hz	2 Jahre **
STROM (MAX.)	LEISTUNGS-AUFNAHME (MAX.)	WIND FETCH (MAX.)	GRÖSSE	WASSER-SPEICHER	GEWICHT	GESAMTGEWICHT MIT WASSER	
3.5A ±10%	510W/h ±10%	15m auf	L 75*W50*H 130cm	50L	45kg	105kg	

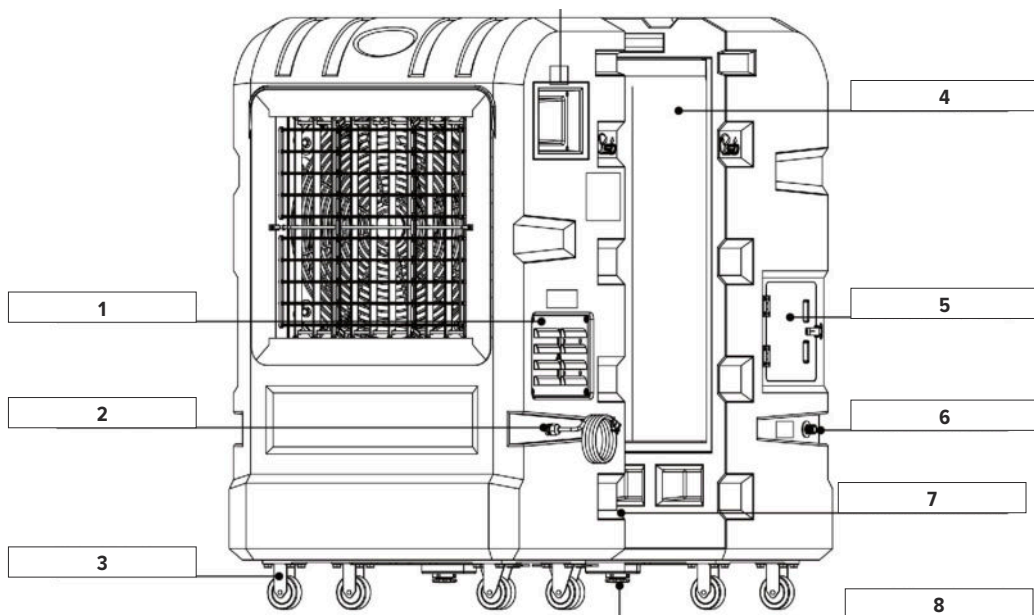
*(Die Lärmpegeldaten werden aus 3 m Entfernung erfasst und in verschiedenen Umgebungen überprüft.)

****GARANTIE**

Für alle Rex Nordic Eco Kühler gilt eine Garantie von 2 Monaten ab Kaufdatum auf Material- und Verarbeitungsfehler. Die Garantie gilt nicht für: Wasserschäden, unsachgemäße Handhabung, Batteriebensdauer, Farbklarheit, Farbausführung, Unfälle oder Abnutzung und Verschleiß. Für die Geltendmachung jeglicher Ansprüche ist ein Kaufbeleg erforderlich.

1	Abdeckung des Wechselrichters
2	Netzkabel
3	Rädergestell
4	Wasserkühlpad

5	Eiswürfeleingang
6	Automatischer Wasserzulauf
7	Wasserspeicherskala
8	Manueller Ablass





REX25000

Tragbarer Ventilator mit Wasserkühlung, mit Wechselrichter

MODELL	EXTERNER RAHMEN	FLÜGEL	MOTOR	DREHGESCH- WINDIGKEIT	LÄRMPEGEL (MAX.)	SPANNUNG (NORMAL)	GARANTIE
REX25000	PE	30° 3 Nylon 6 + Faser-Flügel	680 W Klasse F	1100 min ⁻¹	60dB*	1Ø230 V, 50 Hz	2 Jahre **
STROM (MAX.)	LEISTUNGS- AUF- NAHME (MAX.)	WIND FET- CH (MAX.)	GRÖSSE	WASSER- SPEICHER	GEWICHT	GESAMT- GEWICHT MIT WASSER	
5A ±10%	850W/h ±10%	20m auf	L 132*W69*H 172cm	170L	100kg	270kg	

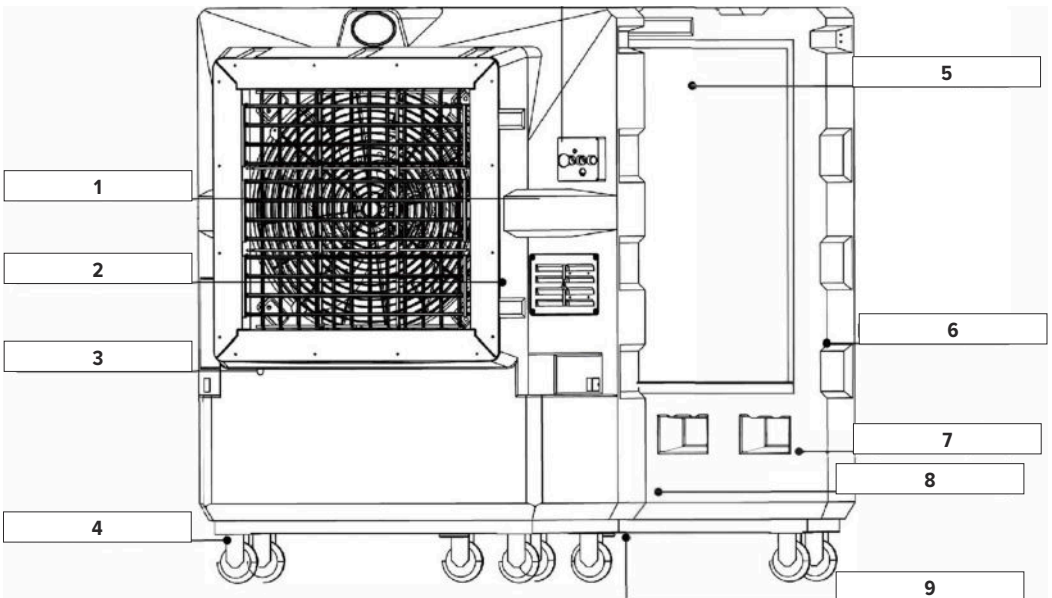
*(Die Lärmpegeldaten werden aus 3 m Entfernung erfasst und in verschiedenen Umgebungen überprüft.)

****GARANTIE**

Für alle Rex Nordic Eco Kühler gilt eine Garantie von 2 Monaten ab Kaufdatum auf Material- und Verarbeitungsfehler. Die Garantie gilt nicht für: Wasserschäden, unsachgemäße Handhabung, Batterielebensdauer, Farbklarheit, Farbausführung, Unfälle oder Abnutzung und Verschleiß. Für die Geltendmachung jeglicher Ansprüche ist ein Kaufbeleg erforderlich.

1	Netzkabelhaken
2	Abdeckung des Wechselrichters
3	Automatischer Wasserzulauf
4	Rädergestell
5	Wasserkühlpad

6	Eiswürfeleingang
7	Wassertank
8	Wasserspeicherskala
9	Manueller Ablass





Wir wissen Ihr Vertrauen und Ihre Unterstützung für unser Produkt sehr zu schätzen. Um eine ordnungsgemäße und effektive Nutzung zu gewährleisten, lesen Sie bitte dieses Handbuch vor der Verwendung des Produkts aufmerksam durch.

SICHERHEITSHINWEISE

Bitte ziehen Sie vor der Reinigung und Wartung den Netzstecker!



Bitte lesen Sie das Handbuch aufmerksam, bevor Sie den Ventilator mit Wasserkühlung in Betrieb nehmen.



Öffnen Sie das Bedienfeld oder die Abdeckung des Wechselrichters nicht ohne qualifizierte Anleitung.



Vermeiden Sie es, das Bedienfeld und den Netzstecker und die Abdeckung des Wechselrichters mit nassen Händen zu bedienen bzw. zu berühren.



Verwenden Sie den Stecker nicht gemeinsam mit anderen Geräten, da der Ventilator einen hohen Anlaufstrom hat. Bitte wählen Sie ein Verlängerungskabel mit mehr als 2,5mm² (14 AWG) für den Ventilator mit Wasserkühlung. Außerdem darf das Verlängerungskabel nicht länger als 25m sein.



Verwenden Sie keine alten Verlängerungskabel oder Steckdosen. Halten Sie die Drähte von Hitze und Feuer fern. Verlegen Sie die Drähte nicht in Durchgangs- oder Durchfahrtbereichen, um zu verhindern, dass auf die Drähte getreten oder daran gezogen wird, was zu Unfällen führen kann.



Entfernen Sie nicht das Erdungsteil des Steckers. Wählen Sie eine ordnungsgemäße und dichte Steckdose und verwenden Sie keine Steckdose ohne Erdung. Nehmen Sie zu Ihrer Sicherheit keine Änderungen am Netzkabel oder der Verdrahtung des Bedienfelds vor.



Dieses Gerät ist nicht für Folgendes ausgelegt und sollte niemals für Folgendes verwendet werden: (1) brennbare Gase, einschließlich Ölgas, Brenngas, reiner Sauerstoff, Wasserstoffgas usw. (2) brennbare Flüssigkeit wie Gas, Toluol usw. (3) Staub oder Kristalle mit die einen niedrigen Flammpunkt haben, einschließlich Magnesium, Platin, Schießpulver usw.



Wenn der Ventilator nicht korrekt funktioniert, schalten Sie bitte den Strom aus und überprüfen Sie den Draht, die Steckdose und das Verlängerungskabel. Starten Sie den Ventilator nach der Überprüfung nach einiger Zeit erneut. Wenn das Problem nicht gelöst werden kann, wenden Sie sich bitte an den Händler, bei dem Sie den Ventilator gekauft haben, oder an uns, um einen Reparaturservice zu vereinbaren. Nehmen Sie Ersatzteile nicht selbst ab und wechseln Sie sie nicht selbst aus.



Bitte stellen Sie den Ventilator mit Wasserkühlung auf einen ebenen Untergrund und treten Sie während der Betätigung auf die Bremsaste. Wenn Sie auf einen Hochwasserschaden stoßen, ziehen Sie bitte den Stecker des Ventilators und bringen Sie das Gerät an einen sicheren Ort.



Wenn Sie den Ventilator eine Zeit lang nicht benutzen, öffnen Sie bitte den Ablass an der Unterseite oder schalten Sie den automatischen Ablass ein, um das Wasser abzulassen. Schalten Sie anschließend den Ventilator 1-2 Stunden lang ein, um das Kühlpad zu trocknen. Ziehen Sie nach dem Trocknen den Stecker des Ventilators ab, um das Gerät zu lagern.



Um den Tank manuell zu befüllen, schalten Sie zuvor den Ventilator aus und öffnen Sie den Eiswürfelleingang, um Wasser einzufüllen. Achten Sie darauf, dass das Wasser nicht mit Strom in Kontakt kommt, um Unfälle zu vermeiden.



Richten Sie die Lufteinlassseite (die Seite des Kühlpads) nicht auf brennende oder rauchende Gegenstände, einschließlich Streichhölzer, Asche, Zigaretten, Zigarren, Holzkohle usw. Schäden oder Unfälle, die durch die vorgenannten Punkte verursacht werden, sind nicht durch die Garantie abgedeckt.



Öffnen Sie während des Betriebs nicht die Abdeckung des Wechselrichters, die Schutzabdeckung des Ventilators oder das Kühlpad auf der Rückseite; werfen Sie auch keine Gegenstände in Richtung Ventilator, um Unfälle zu vermeiden.



Ventilatoren mit Wasserkühlung sind schwer. Seien Sie bitte vorsichtig, wenn Sie den Ventilator bewegen, da es sonst zu Verletzungen kommen kann, wenn er gegen etwas stößt oder umkippt.



Öffnen Sie den Eiswürfeleingang nicht, während der Ventilator in Betrieb ist. In der Nähe der sich drehenden Ventilatorflügel besteht die Gefahr von Verletzungen und Schäden an den Flügeln.



Spritzen Sie beim Reinigen des Ventilators kein Wasser auf das Bedienfeld oder die Abdeckung des Wechselrichters, um Schäden zu vermeiden.



Das Produkt darf nicht ohne Anleitung umgebaut, zerlegt oder repariert werden. Schäden, die durch Nichteinhaltung dieser Vorgabe verursacht werden, fallen nicht unter die Garantie. Bitte kontaktieren Sie uns für Unterstützung.



Um Unfälle zu vermeiden, dürfen die Ventilatorflügel nicht in Eigeninitiative umgebaut oder ausgetauscht werden.



Bewegen Sie den Ventilator mit Wasserkühlung nicht durch Ziehen am Befestigungsschlauch. Anderenfalls sind Schäden am Ventilator möglich.

PRODUKTLEISTUNG



Stellen Sie die Ventilator Drehzahl mit dem stromsparenden, stufenlosen Wechselrichter-Steuerungssystem frei ein. Bitte unterbrechen Sie die Stromzufuhr und ziehen Sie den Netzstecker, wenn Sie das Gerät nicht benutzen oder wenn sich niemand im Raum aufhält.



Bewegen Sie sich frei mit dem Rädergestell.



Verdunstungskühler. Kühlung ohne Nebel.



Durch Hinzufügen von Eis wird der Kühleffekt verstärkt.



Großer Wasserspeicher für einen 4-6-stündigen Betrieb.



Eine spezielle Vorrichtung erfasst, wenn der Wasserstand niedrig ist, um Schäden an der Pumpe zu verhindern.



Filtert Staub, kühlt die Luft und sorgt für frischere Luft.



Tragbare Ausführung, die überallhin mitgenommen werden kann.



100 % hergestellt in Taiwan mit hoher Qualität.



Widerstandsfähige und gut durchdachte PE-Rahmenstruktur.



Spart Strom in klimatisiertem Raum und kühlt den Raum schneller.

BEDIENUNGSANLEITUNG

1 BITTE BEACHTEN SIE FOLGENDES:



Bitte schließen Sie das Produkt an eine einphasige Stromquelle mit AC 220V, 50 Hz an. (Auf dem Produkt befindet sich ein Aufkleber mit Angaben zur Spannung.)



Die Netzspannung darf nicht 10 % höher oder niedriger als die angegebene Spannung sein.



Geeignete Betriebstemperatur: 0°C~45°C. Stellen Sie das Gerät nicht in der Nähe von Wärmequellen oder Feuer auf.

2 Bei niedrigem Wasserstand wird die Pumpe automatisch abgeschaltet. Bitte füllen Sie den Tank bis zum Höchststand auf der Skala. Überfüllen Sie ihn nicht.

3 Stellen oder setzen Sie sich nicht auf den Ventilator und legen Sie keine Gegenstände darauf ab. Herabfallende Gegenstände können zu Schäden, Umkippen oder Verletzungen führen.

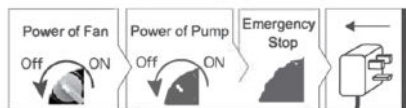
4 Lassen Sie den Verschluss des Eiswürfeleingangs nach Gebrauch geschlossen.

5 Lösen Sie die Schutzabdeckung und andere Teile des Ventilators nicht, da dies zu Schäden am Ventilator oder zu Unfällen führen kann.

6 Bitte stellen Sie eine isolierte Steckdose oder ein isoliertes Kabel für den Ventilator bereit. Teilen Sie die Stromquelle nicht mit anderen Geräten mit hohem Stromverbrauch, um die Sicherheit zu gewährleisten.

7 Wenn Sie den Pumpenschalter ausschalten, können Sie dieses Produkt nur mit der Ventilatorfunktion verwenden.

8 Um den besten Kühleffekt zu gewährleisten, empfehlen wir, das Kühlpad zu reinigen und das Wasser im Tank einmal pro Woche zu wechseln. Öffnen Sie den manuellen Ablass an der Unterseite und füllen Sie den Tank wieder auf. Das nachstehend beschriebene Reinigungsverfahren verlängert die Lebensdauer der Pumpe.



A. Achtung! Schalten Sie den Ventilator vor der Reinigung aus, ziehen Sie den Stecker aus der Steckdose und entfernen Sie den Ventilator von der Stromquelle und anderen Geräten.



B. Öffnen Sie den manuellen Ablass und reinigen Sie das Kühlpad mit einer weichen Bürste von oben. Warten Sie nach der Reinigung, bis das Abwasser abgeflossen ist, und schließen Sie dann den Ablass.



C. Spritzen Sie bei der Reinigung des Kühlpads kein Wasser direkt auf das Bedienfeld oder die Abdeckung des Wechselrichters. Anderenfalls wird die Motorsteuerung beschädigt.



D. Wischen Sie das Ventilatorgehäuse mit einem feuchten Tuch ab. Besprühen Sie es nicht mit Wasser und wischen Sie es nicht mit einer flüchtigen Flüssigkeit ab.

9 **Produktschäden, die durch Folgendes verursacht werden, sind nicht durch unsere Garantie abgedeckt.**

- A. Stromanschluss mit falscher Spannung.
- B. Schäden bei der Handhabung oder beim Transport, die von Benutzern verursacht wurden.
- C. Schäden, die durch Naturkatastrophen verursacht werden.
- D. Strukturelle Schäden, die durch flüchtige Flüssigkeiten oder Gase verursacht werden.
- E. Unfälle oder Schäden, die durch Kabelverbindungen oder gemeinsame Nutzung von Strom mit anderen Geräten verursacht werden.
- F. Schäden, die durch den Umbau oder das Auswechseln von Teilen verursacht werden.
- G. Fehlfunktion durch Verändern der Drähte.
- H. Schäden, die durch Spritzwasser oder Regen verursacht werden.
- I. Pumpenschäden durch Verstopfung aufgrund mangelhafter Reinigung.

Bitte kontaktieren Sie uns bei Fragen.

MERKMALE UND ANWEISUNGEN

				
STUFENLOSE VENTILATORDREHZAHLE- REG- LUNG	KURZSCHLUSSSCHUTZ	MOTOR MIT SANFTAN- LAUF	SCHUTZ BEI NIEDRIGEM WASSERSTAND	ÜBERSTROMSCHUTZ

ANLEITUNG

BETRIEBSANLEITUNG FÜR VENTILATOR MIT WASSERKÜHLUNG

1 BETRIEBSABLAUF UND AUTOMATISCHER WASSERZULAUF:

Schließen Sie den Schnellverbinder des Wasserzulaufschlauchs an einen Wasserhahn an und ziehen Sie ihn fest. Stellen Sie sicher, dass das andere Ende des Anschlusses am Ventilator befestigt ist. Öffnen Sie den Wasserhahn und füllen Sie den Wassertank bis zum höchsten Stand der Wasserspeicherskala. Schalten Sie die Pumpe ein (siehe Anleitung auf dem Bedienfeld unten) und lassen Sie das Wasser 1-2 Minuten lang das Kühlpad benetzen. Schalten Sie dann den Ventilator ein und stellen Sie die Ventilator-drehzahl ein. Wenn Sie diese Schritte befolgen, erzielen Sie mit Ihrem Ventilator die beste Kühlwirkung.

2 ANLEITUNG AUF DEM BEDIENFELD:



1	Ein/Aus-Anzeige
2	Ein-/Aus / Not-Halt
3	Ein-/Ausschalten der Pumpe
4	Ein-/Ausschalten des Ventilators
5	Regler für Ventilator-drehzahl
6	Ein/Ausschalten der Verschlüsse

EIN-/AUS / NOT-HALT

- Drehen Sie den Knopf und lassen Sie die Betriebsanzeige aufleuchten.
- Drücken Sie die Taste, um das Gerät in Notfällen auszuschalten. Bitte befolgen Sie die nachstehenden Anweisungen zum Ein- und Ausschalten für den normalen Gebrauch.

Achtung! Wenn Sie die Not-Halt-Taste drücken, schaltet sich der Ventilator nach 20 Sekunden wieder ein.

EIN-/AUSSCHALTEN DER PUMPE

- Schalten Sie den Knopf ein. Die Pumpe läuft an, da sich genügend Wasser im Tank befindet. Bei niedrigem Wasserstand würde die Pumpe nicht anlaufen. Bitte füllen Sie den Tank vor dem Gebrauch.

EIN-/AUSSCHALTEN DES VENTILATORS

- Schalten Sie den Ventilator ein und drehen Sie den Drehzahlregler, um die Geschwindigkeit zu regeln.

REGLER FÜR VENTILATOR-DREHZAHL

- Regeln Sie die Ventilator-drehzahl, wenn der Ventilator eingeschaltet ist. Einstellbereich 0-100: Je höher der Wert, desto schneller läuft der Ventilator.

EIN-/AUSSCHALTEN DER VERSCHLÜSSE

- Steuerung der elektrischen Verschlüsse

EINSCHALTEN UND AUSSCHALTEN



- 1 - Stecken Sie den Stecker des Ventilators ein
- 2 - Schalten Sie den Netzschalter ein
- 3 - Die Betriebsanzeige leuchtet
- 4 - Schalten Sie die Pumpe für 1-2 Minuten ein, damit das Kühlpad benetzt wird
- 5 - Schalten Sie den Ventilator ein
- 6 - Regeln Sie die Ventilator-drehzahl



- 1 - Schalten Sie die Pumpe aus und lassen Sie den Lüfter 30 Minuten lang laufen, um das Kühlmedium auszutrocknen, und schalten Sie dann den Lüfter aus.
- 2 - Drehen Sie den Geschwindigkeitsregler auf 0
- 3 - Schalten Sie den Ventilator aus
- 4 - Drücken Sie den Not-Aus-Schalter
- 5 - Trennen Sie den Lüfter vom Stromnetz

HINWEISSCHILDER

1~AC230V

Leistungsspezifikation

! WARNING / DANGEROUS



**ELECTRIC SHOCK
OPERATE CAREFULLY**



DON'T SPRAY WATER

Hier sind der Wechselrichter und die Steuerung des Ventilators installiert. Wischen Sie den Ventilator mit einem feuchten Tuch ab. Sprühwasser könnte ein elektrisches Leck oder einen Kurzschluss verursachen.

! AVOID HIGH WATER PRESSURE

WATER IN

Der Wassereingangsdruck darf nicht über 4,5 bar liegen.

WATER OUT



Manueller Ablass. Öffnen Sie ihn zum Wechseln des Wassers oder zum Reinigen.

! WARNING



**RISK OF
DRAW IN**



**DANGEROUS
DON'T TOUCH**

Nähern Sie sich während des Betriebs nicht dem Ventilator und berühren Sie ihn nicht.

! Warning
**Do not open it
when the fan
is running.**

Eiswürfeleingang

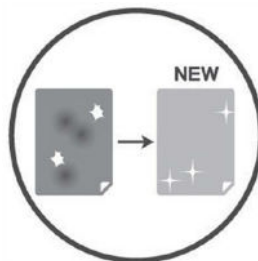
**REINIGUNG UND WARTUNG
REGELMÄSSIG DAS WASSER WECHSELN**



1 Während des Gebrauchs können sich Staub und Partikel im Inneren des Tanks ablagern. Dies kann die Kühlleistung des Ventilators verringern und schlechte Gerüche verursachen. Wir empfehlen, das Wasser im Tank mindestens einmal pro Woche zu wechseln, bei Bedarf auch öfter. Sprühen Sie kein Wasser direkt auf den Wechselrichter oder das Bedienfeld.

2 Der Ventilator kann Staub und Partikel filtern. Wenn Sie den Ventilator in einem Bereich mit schlechter Luft verwenden, empfehlen wir, den manuellen Ablass zu öffnen, um das Wasser nach dem Gebrauch abzulassen. Füllen Sie den Tank für den nächsten Gebrauch auf.

3 Manueller Ablass: An der Unterseite des Ventilators. Drehen Sie den Knopf zum Öffnen und lassen Sie das Wasser heraus. Drehen Sie ihn anschließend zurück.



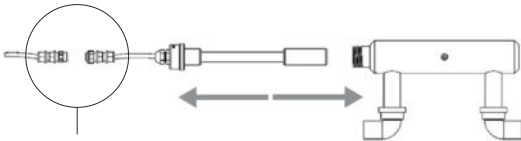
**Die Wasserkühlpads sind Verbrauchsmaterial.
Bitte wenden Sie sich an uns oder unseren
Händler, um Ersatz zu erhalten, wenn sie
verschmutzt oder beschädigt sind.**

UV-LICHT-REINIGUNGSVERFAHREN

1 Bevor Sie den Vorgang starten, drücken Sie bitte die rote Taste (Not-Halt).

2 Ziehen Sie das Netzkabel aus der Steckdose, um einen Stromschlag zu vermeiden.

Nachdem Sie sich vergewissert haben, dass der Kühler vom Stromnetz getrennt ist, folgen Sie bitte der nachstehenden Anleitung:



UVC-SCHNELLVERBINDER

3 Öffnen Sie den Eiswürfeleingang und lösen Sie den Schnellverbinder der UV-Licht-Röhre.

4 Lösen Sie die Kabelverschraubung.

5 Lösen Sie den Verschluss aus Edelstahl.

6 Nehmen Sie die UV-Licht-Röhre heraus.

7 Eventueller Kalk kann entfernt werden, indem das Rohr in einem handelsüblichen Kalkentferner auf Zitronensäurebasis eingetaucht wird. Tauchen Sie das Rohr in Kalkentferner ein und spülen Sie es gut aus. Befolgen Sie die Anweisungen für den Kalkentferner.

8 Spülen Sie die Licht-Röhre mit Wasser aus, um die Lösung abzuwaschen. Bringen Sie die UV-Licht-Röhre wieder in ihrer ursprünglichen Position in der Abdeckung an.

9 Schließen Sie den Schnellverbinder ordnungsgemäß an und ziehen Sie ihn fest.

10 Führen Sie das Kabel ein und befestigen Sie die Verschraubung.

11 Befestigen Sie den Verschluss aus Edelstahl.

12 Schließen Sie nach der Installation der UV-Licht-Röhre den Eiswürfeleingang und beenden Sie den Vorgang.

WARNUNG



1 BITTE BEFOLGEN SIE DIE ANWEISUNGEN IN DIESEM HANDBUCH GENAU. SCHÄDEN UND VERLETZUNGEN, DIE DURCH UNSACHGEMÄSSEN GEBRAUCH VERURSACHT WERDEN, FALLEN NICHT UNTER DIE GARANTIE.

2 WIR SIND NICHT VERANTWORTLICH FÜR UNFÄLLE, DIE DURCH VON BENUTZERN UMGEBAUTE PRODUKTE VERURSACHT WERDEN.

3 WENN SIE EIN PROBLEM FESTSTELLEN, DASS WÄHREND TRANSPORT BZW. LIEFERUNG VERURSACHT WURDE, WENDEN SIE SICH BITTE AN UNS ODER UNSEREN VERTRIEBSPARTNER IN IHREM LAND, UM SCHNELLSTMÖGLICH HILFE ZU ERHALTEN.

4 UM UNFÄLLE ODER SCHÄDEN ZU VERMEIDEN, BEACHTEN SIE BITTE DIE FOLGENDEN REGELN:

- Sie müssen sich vor dem Gebrauch mit der korrekten Bedienung des Geräts vertraut machen.
- Sie müssen das Handbuch durchlesen und vor dem Gebrauch mit allen Anweisungen vertraut sein.
- Sie müssen das Handbuch durchlesen und die Hinweisschilder verstanden haben, bevor Sie das Gerät benutzen.

Der Inhalt dieses Handbuchs sowie die Spezifikationen und die Konstruktion der Produkte kann ohne vorherige Ankündigung geändert werden.


ECO-KOELERS
REX14000 Draagbare omvormer waterkoelingsventilator

MODEL	EXTERN FRAME	BLADEN	MOTOR	DRAAISNELHEID	GELUIDSVOLUME (MAX.)	SPANNING (NORMAAL)	GARANTIE
REX14000	PE	18" 3 Nylon 6 + Vezelbladen	450W F-kwaliteit	1380 TPM	55dB	1Ø230 V, 50 Hz	2 jaar **
STROOM (MAX.)	STROOMVERBRUIK (MAX.)	WINDUITSTROMING (MAX.)	MAAT	WATER OPSLAG	GEWICHT	TOTAAL GEWICHT MET WATER	
3.5A ±10%	510W/h ±10%	15m omhoog	L 75" W50" H 130cm	50L	45kg	105kg	

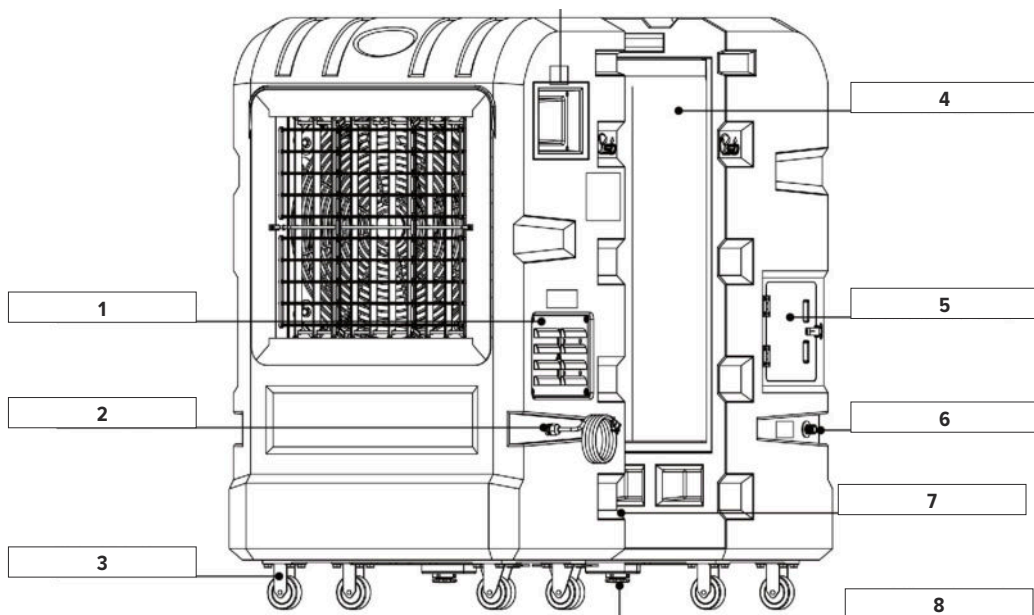
*[De gegevens over het geluidsvolume worden gedetecteerd op een afstand van 3 m en worden geleverd in een andere omgeving]

GARANTIE

Alle Rex Nordic eco-koelers hebben een garantie van 2 maanden vanaf de aankoopdatum tegen materiaal- en fabricagefouten. De garantie geldt niet voor: waterschade, onjuiste hantering, kleurhelderheid, kleurafwerking, ongelukken of slijtage. Voor alle claims is een aankoopbewijs vereist.

1	Deksel van omvormer
2	Netsnoer
3	Wielerek
4	Waterkoelingskussen

5	Ice Cube-ingang
6	Automatische waterinlaat
7	Wateropslagschaal
8	Handmatige afvoer





REX25000 Draagbare omvormer waterkoelingsventilator

MODEL	EXTERN FRAME	BLADEN	MOTOR	DRAAISNELHEID	GELUIDSVOLUME (MAX.)	SPANNING (NORMAAL)	GARANTIE
REX25000	PE	30° 3 Nylon 6 + Vezelbladen	680 W F-kwaliteit	1100 TPM	60dB*	1Ø230 V, 50 Hz	2 jaar **
STROOM (MAX.)	STROOMVERBRUIK (MAX.)	WINDUITSTROMING (MAX.)	MAAT	WATER OPSLAG	GEWICHT	TOTAAL GEWICHT MET WATER	
5A ±10%	850W/h ±10%	20m omhoog	L 132*W69*H 172cm	170L	100kg	270kg	

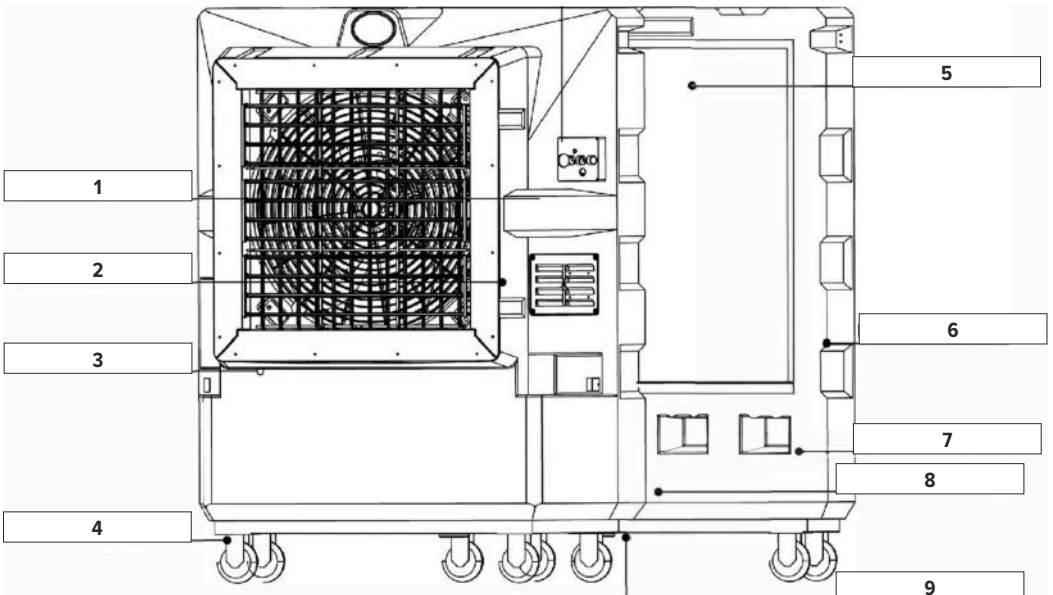
*[De gegevens over het geluidsvolume worden gedetecteerd op een afstand van 3 m en worden geleverd in een andere omgeving]

GARANTIE

Alle Rex Nordic eco-koelers hebben een garantie van 2 maanden vanaf de aankoopdatum tegen materiaal- en fabricagefouten. De garantie geldt niet voor: waterschade, onjuiste hantering, kleurhelderheid, kleurafwerking, ongelukken of slijtage. Voor alle claims is een aankoopbewijs vereist.

1	Netsnoerhaak
2	Deksel van omvormer
3	Automatische waterinlaat
4	Wielerek
5	Waterkoelingskussen

6	Ice Cube-ingang
7	Watertank
8	Wateropslagschaal
9	Handmatige afvoer





We stellen uw vertrouwen en steun in ons product zeer op prijs. Lees deze handleiding door voordat u dit product gebruikt, voor een correct en effectief gebruik.

VEILIGHEIDSMATREGELEN

Haal de stekker uit het stopcontact voor reiniging en onderhoud!



Lees de handleiding grondig door voordat u de waterkoelingsventilator gebruikt.



Open het bedieningspaneel of de kap van de omvormer niet zonder gekwalificeerd advies.



Bedien het bedieningspaneel niet en raak de stekker en het deksel van de omvormer niet aan met natte handen.



Deel de stekker niet met andere apparatuur vanwege de hoge opstartstroom van de ventilator. Kies een verlengsnoer van meer dan 2,5 mm² (14 AWG) voor de waterkoelingsventilator. Het verlengsnoer mag ook niet langer zijn dan 25 m.



Vermijd het gebruik van oude verlengsnoeren of stopcontacten. Houd de draden uit de buurt van hitte en vuur. Plaats de draden niet op plaatsen waar mensen of verkeer elkaar kruisen om te voorkomen dat er op de draden wordt getrapt of dat er aan de draden wordt getrokken, wat ongelukken kan veroorzaken.



Verwijder het aardingsgedeelte van de stekker niet. Kies een goed en stevig stopcontact, gebruik geen stopcontact zonder aarding. Verander voor uw eigen veiligheid niets aan het netsnoer of de bedrading van het bedieningspaneel.



Dit apparaat kan en mag nooit gebruikt worden om het volgende te verpompen of af te zuigen: (1) brandbare gassen, inclusief olegas, brandstofgas, zuivere zuurstof, waterstofgas, enz. (2) brandbare vloeistoffen, zoals gas, toluen, enz. (3) stof of kristallen met een ontbrandingspunt onder 40°C, waaronder magnesium, platina, buskruit, enz.



Als de ventilator niet goed werkt, schakel dan de stroom uit en controleer de bedrading, het stopcontact en het verlengsnoer. Start de ventilator na een tijdje opnieuw. Als het probleem niet is opgelost, neem dan contact op met de leverancier van de ventilator of met ons voor een reparatieservice. Verwijder of vervang onderdelen niet zelf.



Plaats de waterkoelingsventilator op een vlakke ondergrond en trap op de remknop tijdens het gebruik. Bij overstromingsschade dient u de stekker van de ventilator uit het stopcontact te halen en deze op een veilige plaats op te bergen.



Als u de koelingsventilator een tijdje niet gebruikt, open dan de afvoer onderaan of zet de automatische afvoer aan om het water eruit te laten lopen. Zet vervolgens de ventilator 1-2 uur aan om het koelkussen te drogen. Haal na het drogen de stekker uit het stopcontact om de ventilator op te bergen.



Om de tank handmatig te vullen, schakelt u de ventilator uit en opent u de ingang voor de ijsblokkjes om het water te vullen. Zorg ervoor dat het water uit de buurt van stroom is om ongelukken te voorkomen.



Richt de luchtinlaat (de kant van het koelkussen) niet op een brandend of rokend voorwerp, zoals lucifers, as, sigaretten, sigaren, houtskool, enz. Schade of ongevallen veroorzaakt door het voorgaande vallen niet onder de garantie.



Open tijdens het bedrijf niet het deksel van de omvormer, de afdekking van de ventilator of het koelkussen aan de achterkant; gooi ook niets naar de ventilator om ongelukken te voorkomen.



De waterkoelingsventilatoren zijn zwaar. Wees voorzichtig bij het verplaatsen van de koelingsventilator, anders kan deze bij stoten of omvallen letsel veroorzaken.



Open de ijsblokjesingang niet terwijl de ventilator draait. Als u de draaiende ventilatorbladen nadert, kunt u zich verwonden en kunnen de bladen barsten.



Spuit tijdens het reinigen van de koelingsventilator geen water op het bedieningspaneel of de kap van de omvormer om schade te voorkomen.



Het product niet ombouwen, demonteren of repareren zonder instructies. Schade veroorzaakt door het voorgaande probleem wordt niet gedekt door de garantie. Neem contact met ons op voor ondersteuning.



Verander de ventilatorbladen niet zelf om ongelukken te voorkomen.



Verplaats de waterkoelingsventilator niet door aan de bevestigingsslang te trekken. Dit kan schade aan de ventilator veroorzaken.

PRODUCTPRESTATIES



Pas de ventilatorsnelheid vrij aan met de energiebesparende traploze omvormerregeling. Schakel de stroom uit en trek de stekker uit het stopcontact als u het apparaat niet gebruikt of als mensen naar buiten gaan.



Beweeg vrij met het zwenkwielrek.



Verdampend koelsysteem.
Koel zonder mist.



U kunt wat ijs toevoegen om het verkoelende effect te versterken.



Grote wateropslag om 4 tot 6 uur te kunnen werken.



Detectie-inrichting voor lage wateropslag om te voorkomen dat de pomp doorbrandt.



Filtert stof terwijl de lucht wordt gekoeld en produceert frissere lucht.



Draagbaar ontwerp, neem het overal mee naartoe.



100% gemaakt in Taiwan met hoge kwaliteit.



Sterke en goed ontworpen PE-framestructuur.



Bespaar elektriciteit in een ruimte met airconditioning en koel de ruimte sneller.

GEbruiksaanwijzing

1 VOLG DE ONDERSTAANDE VOORWAARDEN:



Sluit het product aan op een AC 220V, 50 Hz, enkelfasige stroombron. (Er zit een sticker met spanninginstructies op het product)



De voedingsspanning mag niet 10% hoger of lager zijn dan de aangegeven spanning.



Geschikte bedrijfstemperatuur: 0°C~45°C. Plaats het apparaat niet in de buurt van hitte of vuur.

2 Als het wateropslagniveau laag wordt, stopt de pomp automatisch. Vul de tank tot het maximum van de schaal en vul niet te veel.

3 Ga niet op de ventilator staan of zitten en plaats er geen voorwerpen op. Het kan schade, omvallen of letsel veroorzaken wanneer dingen vallen.

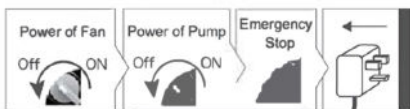
4 Houd de gesp van de ijsblokjesingang vast na gebruik.

5 Maak de afdekplaat en andere onderdelen van de ventilator niet los, anders kan de ventilator beschadigd raken of kunnen er ongelukken gebeuren.

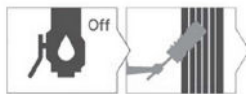
6 Zorg voor een geïsoleerd stopcontact of kabel voor de ventilator. Gebruik de stroombron niet samen met andere apparatuur met een hoog stroomverbruik om de veiligheid te garanderen.

7 Door de pompschakelaar uit te schakelen, kunt u dit product gebruiken met alleen de ventilatorfunctie.

8 Voor het beste koelingseffect raden we aan het koelkussen te wassen en het water in de tank elke week te verversen. Open de handmatige aftap onderaan en vul de tank opnieuw. Het volgende reinigingsproces verlengt de levensduur van de pomp.



A. Let op! Voordat u begint met schoonmaken, moet u de ventilator uitschakelen, de stekker uit het stopcontact halen en de ventilator uit de buurt van de stroombron en andere apparatuur plaatsen.



B. Open de handmatige afvoer hieronder en was het koelkussen met een zachte borstel vanaf de bovenkant. Wacht na het wassen tot het afvalwater is weggelopen en sluit dan de afvoer.



C. Spuit tijdens het wassen van het koelkussen geen water rechtstreeks op het bedieningspaneel of de kap van de omvormer. Dit zal de motorbesturing beschadigen.



D. Veeg de ventilatorbehuizing schoon met een natte handdoek, spuit er geen water en veeg het niet af met vluchtige vloeistof.

9 **Productschade veroorzaakt door de volgende problemen wordt niet gedekt door onze garantie.**

- A. Stroom aangesloten met verkeerde spanning.
- B. Schade tijdens behandeling of tijdens transport veroorzaakt door gebruikers.
- C. Schade veroorzaakt door natuurrampen.
- D. Structurele schade veroorzaakt door vluchtige vloeistof of gas.
- E. Ongelukken of schade veroorzaakt door bedrading of stroomdeling met andere apparatuur.
- F. Schade veroorzaakt door het ombouwen of verwisselen van onderdelen.
- G. Storing veroorzaakt door het veranderen van draden.
- H. Schade veroorzaakt door opspattend water of regen.
- I. Pompschade door verstopping als gevolg van onzorgvuldig reinigen.

Neem contact met ons op bij vragen.

FUNCTIE EN HANDLEIDING

				
TRAPLOZE VENTILATOR-SNELHEIDSREGELING	BESCHERMING TEGEN KORTSLUITING	MOTOR MET ZACHTE AANLOOP	BESCHERMING TEGEN LAAG WATERPEIL	OVERSTROOM-BEVEILIGING

INSTRUCTIE BEDIENINGSHANDLEIDING WATERKOELINGSVENTILATOR

1 BEDIENINGSPROCES EN AUTOMATISCHE WATERINLAAT:

Sluit de snelkoppeling van de watertoevoerslang aan op een kraan en draai hem vast. Controleer en zorg ervoor dat het andere uiteinde van de connector is bevestigd aan de koelingsventilator. Open de kraan en vul de watertank tot het hoogste niveau van de wateropslagschaal. Zet de pomp aan (zie de instructies op het bedieningspaneel hieronder) en laat het water het koelkussen 1-2 minuten bevochtigen, zet dan de ventilator aan en pas de ventilatorsnelheid aan. Als u het proces volgt, krijg u het beste koelingseffect van u ventilator.

2 INSTRUCTIE BEDIENINGSPANEEL:

1	Voedingslampje
2	Aan/uit/noodstop
3	Pomp
4	Ventilator
5	Ventilatorsnelheid
6	Louvres



AAN/UIT/NOODSTOP

- Draai aan de knop en de voedingsindicator licht op.
- Druk op de knop om de stroom uit te schakelen in geval van nood.

Volg het onderstaande aan- en uitproces voor normaal gebruik.
Let op: Als u op de noodstop drukt, start de ventilator na 20 seconden opnieuw.

POMP

- Zet de knop aan, de pomp start als er voldoende water in de tank is. De pomp start niet als het waterpeil laag is. Vul de tank voor gebruik.

VENTILATOR

- Schakel de ventilator in en draai aan de ventilatorsnelheidsregelaar om de snelheid te regelen.

VENTILATORSNELHEID

- Regel de ventilatorsnelheid als de ventilator aan staat. Van 0-100; hoe hoger het getal, hoe sneller de ventilator.

LOUVRES

- De elektrische louvres bedienen

INSCHAKELLEN & UITSCHAKELLEN



- 1 - Sluit de ventilator aan
- 2 - Zet de stroomschakelaar aan
- 3 - Voedingslampje brandt
- 4 - Zet de pomp 1-2 minuten aan om het koelkussen nat te maken
- 5 - Zet de ventilator aan
- 6 - Regel de ventilatorsnelheid



- 1 - Schakel de pomp uit en laat de ventilator 30 minuten draaien om de koelmedia te laten drogen, en schakel vervolgens de ventilator uit.
- 2 - Draai de snelheidsregelaar naar 0
- 3 - Schakel de stroom van de ventilator uit
- 4 - Druk op de noodstop
- 5 - Koppel de ventilator los

INSTRUCTIETEKEN OP HET ETIKET

1~AC230V

Vermogensspecificatie

! WARNING / DANGEROUS**ELECTRIC SHOCK
OPERATE CAREFULLY****DON'T SPRAY WATER**

Hier worden de omvormer en regelaar van de ventilator geïnstalleerd. Veeg de ventilator schoon met een vochtige doek. Water erop sproeien kan elektrische lekkage of kortsluiting veroorzaken.

! AVOID HIGH WATER PRESSURE**WATER IN**

De watertoevoerdruk mag niet hoger zijn dan 4,5 bar.

WATER OUT

Handmatige afvoer.

Open bij het vervangen en afwassen.

! WARNING**RISK OF
DRAW IN****DANGEROUS
DON'T TOUCH**

Raak de ventilator niet aan tijdens het gebruik.

! Warning**Do not open it
when the fan
is running.**

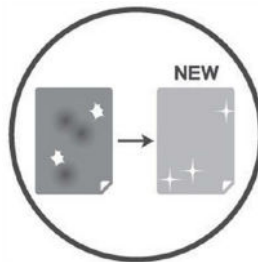
Ice Cube-ingang

REINIGEN EN ONDERHOUDEN
VERVANG HET WATER REGELMATIG

1 Tijdens het gebruik zetten stof en deeltjes zich af in de tank. Dit kan de koelcapaciteit van de ventilator verminderen en een vieze geur veroorzaken. We raden aan om het water in de tank minstens één keer per week te vervangen; vaker indien nodig. Spuit geen water rechtstreeks op de omvormer of het bedieningspaneel.

2 De koelingsventilator kan stof en deeltjes filteren. Als u de ventilator gebruikt in een ruimte met een vieze lucht, dan raden we aan om de handmatige afvoer te openen om het water eruit te laten na gebruik. Vul de tank de volgende keer als dat nodig is.

3 Handmatige afvoer: Aan de onderkant van de koelingsventilator. Draai aan de knop om te openen en het water eruit te laten. Draai het daarna terug.

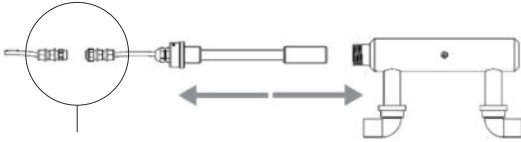


De waterkoelingspads zijn verbruiksartikelen. Neem contact op met ons of onze distributeur voor vervanging als er vlekken of beschadigingen zijn.

UV-LICHT REINIGINGSPROCES

1 Druk op de rode knop (noodstop) voordat u het proces start.

2 Haal de stekker uit het stopcontact om elektrische schokken te voorkomen.



UVC SNELKOPPELING

Nadat u hebt gecontroleerd of de stekker van de koeler uit het stopcontact is gehaald, kun u de onderstaande handleiding volgen:

3 Open de ijsblokjesingang en maak de snelkoppeling van de UV-lichtbuis los.

4 Maak de wartel los.

5 Maak de roestvrijstalen bevestiging los.

6 Neem de UV-lichtbuis eruit.

7 De kalkaanslag kan worden verwijderd door de buis te weken in een kalkverwijderaar op basis van citroenzuur. Week de buis in kalkverwijderaar en spoel goed af. Volg de instructies van de kalkverwijderaar.

8 Spoel de lichtbuis met water om de oplossing af te spoelen. Plaats de UV-lichtbuis terug op zijn oorspronkelijke plaats.

9 Sluit de snelkoppeling goed aan en maak hem stevig vast.

10 Steek de kabel in en maak de wartel vast.

11 Maak de roestvrijstalen bevestiging vast.

12 Sluit na het installeren van de UV-lichtbuis de ijsblokjesingang en voltooi het proces.

WAARSCHUWING



1 VOLG DE AANWIJZINGEN IN DEZE HANDLEIDING NAUWKEURIG OP. SCHADE EN LETSEL VEROORZAAKT DOOR ONJUIST GEBRUIK VALLEN NIET ONDER DE GARANTIE.

2 WIJ ZIJN NIET VERANTWOORDELIJK VOOR ONGELUKKEN DIE WORDEN VEROORZAAKT DOOR PRODUCTEN DIE DOOR GEBRUIKERS ZIJN OMGEBOUWD.

3 NEEM BIJ PROBLEMEN TIJDENS DE LEVERING CONTACT OP MET ONS OF ONZE DISTRIBUTEUR IN UW LAND VOOR DRINGENDE HULP.

4 VOLG DE ONDERSTAANDE REGELS OM ONGELUKKEN OF SCHADE TE VOORKOMEN:

- U moet leren hoe u het apparaat correct bedient voordat u het gebruikt.
- Voor gebruik moet u de handleiding doorlezen en alle instructies kennen.
- Voor gebruik moet u de handleiding doorlezen en het instructieteken op het etiket begrijpen.

De inhoud van deze handleiding, inclusief de specificaties en het ontwerp van de producten, kan zonder voorafgaande kennisgeving worden gewijzigd.


CLIMATISEURS ECO
REX14000 Climatiseurs à eau portable et onduleur

MODÈLE	CADRE EXTERNE	PALES	MOTEUR	VITESSE DE ROTATION	VOLUME SONORE (MAX.)	TENSION (ORDINAIRE)	GARANTIE
REX14000	PE	6 pales en fibres de Nylon 18 po 3	450W Classe F	1 380 tr/min	55 dB	1Ø230 V, 50 Hz	2 années **
COURANT (MAX.)	CONSUMMATION ÉLECTRIQUE (MAX.)	COURSE DU VENT (MAX.)	TAILLE	STOCKAGE EAU	POIDS	POIDS TOTAL AVEC L'EAU	
3.5A ±10%	510W/h ±10%	15 m vers le haut	L 75 * L 50 * H 130 cm	50 L	45 kg	105 kg	

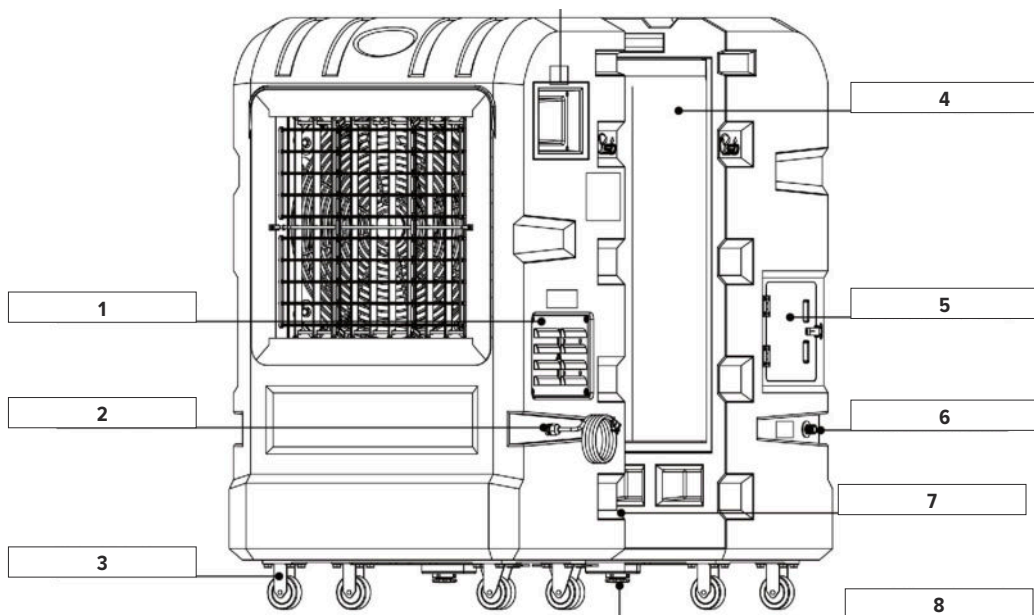
* (Les données relatives au volume sonore sont détectées à 3 m de distance et seront vérifiées dans différentes zones environnantes).

****GARANTIE**

Tous les climatiseurs Eco Rex Nordic sont garantis contre les défauts de matériaux et de fabrication pendant une période de 2 mois à compter de la date d'achat. La garantie ne couvre pas les dommages causés par l'eau, une mauvaise manipulation, la netteté des couleurs, la finition des couleurs, les accidents ou l'usure. Une preuve d'achat est exigée pour toutes les réclamations.

1	Couvercle de l'onduleur
2	Cordon d'alimentation
3	Crémaillère à roues
4	Plaque réfrigérante de l'eau

5	Entrée pour glaçons
6	Entrée automatique d'eau
7	Échelle de stockage de l'eau
8	Vidange manuelle





REX25000 Climatiseurs à eau portable et onduleur

MODÈLE	CADRE EXTERNE	PALES	MOTEUR	VITESSE DE ROTATION	VOLUME SONORE (MAX.)	TENSION (ORDINAIRE)	GARANTIE
REX25000	PE	6 pales en fibres de Nylon 30 po 3	680 W Grade F	1100 tr/min	60 dB*	1Ø230 V, 50 Hz	2 années **
COURANT (MAX.)	CONSUMMATION ÉLECTRIQUE (MAX.)	COURSE DU VENT (MAX.)	TAILLE	STOCKAGE EAU	POIDS	POIDS TOTAL AVEC L'EAU	
5A ±10%	850W/h ±10%	20 m vers le haut	L 132* 69 * H 172 cm	170L	100kg	270kg	

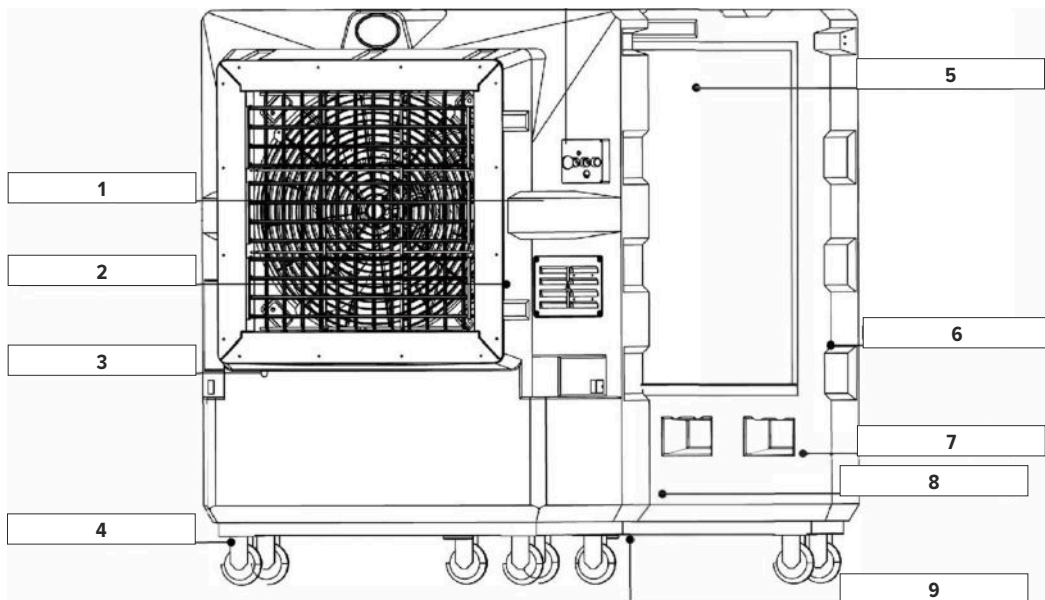
* (Les données relatives au volume sonore sont détectées à 3 m de distance et seront vérifiées dans différentes zones environnantes).

**GARANTIE

Tous les climatiseurs Eco Rex Nordic sont garantis contre les défauts de matériaux et de fabrication pendant une période de 2 mois à compter de la date d'achat. La garantie ne couvre pas les dommages causés par l'eau, une mauvaise manipulation, la netteté des couleurs, la finition des couleurs, les accidents ou l'usure. Une preuve d'achat est exigée pour toutes les réclamations.

1	Crochet pour cordon d'alimentation
2	Couvercle de l'onduleur
3	Entrée automatique d'eau
4	Crémaillère à roues
5	Plaque réfrigérante de l'eau

6	Entrée pour cubes à glace
7	Réservoir d'eau
8	Échelle de stockage de l'eau
9	Vidange manuelle





Nous apprécions sincèrement la confiance et l'intérêt que vous portez à notre produit. Pour garantir une utilisation correcte et efficace, veuillez lire ce manuel avant d'utiliser ce produit.

PRÉCAUTIONS DE SÉCURITÉ

Veuillez débrancher la connexion électrique avant de procéder au nettoyage et à l'entretien !



Veuillez lire attentivement le manuel avant d'utiliser le ventilateur de refroidissement à eau.



N'ouvrez pas le panneau de commande ou le couvercle de l'onduleur sans l'aide d'une personne qualifiée.



Ne manipulez pas le panneau de commande et ne touchez pas la fiche d'alimentation et le couvercle de l'onduleur avec des mains mouillées.



Ne partagez pas la prise avec d'autres appareils en raison du courant de démarrage élevé du ventilateur. Choisissez une rallonge de plus de 2,5 mm² (14 AWG) pour le ventilateur de refroidissement à eau. Par ailleurs, la rallonge ne doit pas dépasser 25 m.



Évitez d'utiliser de vieilles rallonges ou prises. Tenez les fils à l'écart de la chaleur et du feu. Ne placez pas les fils dans un endroit où des personnes ou des véhicules circulent afin d'éviter qu'ils ne soient piétinés ou tirés, ce qui pourrait provoquer un accident.



Ne retirez pas la partie terre de la fiche. Choisissez une prise de courant correcte et étanche, n'utilisez pas de prise de courant sans mise à la terre. Pour votre sécurité, ne remplacez pas le cordon d'alimentation ou le câblage du panneau de commande.



Cet appareil n'est pas en mesure d'aspirer et ne doit jamais être utilisé pour aspirer : (1) des gaz inflammables, y compris le gaz de pétrole, le gaz combustible, l'oxygène pur, l'hydrogène, etc. (2) des liquides inflammables, tels que le gaz, le toluène, etc. (3) des poussières ou cristaux qui ont un point d'éclair faible, y compris le magnésium, le platine, la poudre à canon, etc.



Si le ventilateur ne fonctionne pas correctement, coupez l'alimentation et vérifiez le câble, la prise et la rallonge. Après vérification, redémarrez le ventilateur au bout d'un certain temps. Si le problème persiste, veuillez contacter l'endroit où vous avez acheté le ventilateur ou nous contacter pour planifier un service de réparation. Ne démontez pas et ne remplacez pas les pièces détachées vous-même.



Veuillez placer le ventilateur de refroidissement à l'eau sur un sol plat et appuyer sur le bouton de frein pendant le fonctionnement. En cas de dégâts causés par une inondation, débranchez le ventilateur et mettez-le en lieu sûr.



Lorsque vous n'utilisez pas le ventilateur pendant un certain temps, ouvrez le drain situé en bas de l'appareil ou activez le système de vidange automatique pour évacuer l'eau. Mettez ensuite le ventilateur en marche pendant 1 à 2 heures pour sécher la plaque réfrigérante. Après le séchage, débranchez le ventilateur pour le ranger.



Pour remplir le réservoir manuellement, éteignez le ventilateur et ouvrez l'entrée d'admission de glaçons pour remplir d'eau. Veillez à ce que l'eau soit éloignée de l'alimentation électrique afin d'éviter tout accident.



Ne placez pas le côté de l'entrée d'air (côté plaque réfrigérante) en face d'un objet brûlant ou fumant, notamment des allumettes, des cendres, une cigarette, un cigare, du charbon de bois, etc. Les dommages ou accidents causés par le problème indiqué précédemment ne sont pas couverts par la garantie.



Pendant le fonctionnement, n'ouvrez pas le couvercle de l'onduleur, le capot de protection du ventilateur ou la plaque réfrigérante à l'arrière ; pour éviter tout accident, ne jetez rien sur le ventilateur.



Les ventilateurs de refroidissement par eau sont lourds. Soyez prudent lorsque vous déplacez le ventilateur de refroidissement, car il peut provoquer des blessures en cas de choc ou de basculement.



N'ouvrez pas le système d'entrée des glaçons lorsque le ventilateur fonctionne. S'approcher des pales du ventilateur en marche risque de provoquer des blessures et de fissurer les pales.



Lors du nettoyage du ventilateur de refroidissement, n'aspergez pas d'eau le panneau de commande ou le couvercle de l'onduleur afin d'éviter de les endommager.



Ne modifiez pas, ne démontez pas ou ne réparez pas le produit sans avoir obtenu d'instructions. Les dommages causés par le problème cité précédemment ne sont pas couverts par la garantie. Veuillez nous contacter pour obtenir de l'aide.



Veuillez ne pas convertir ou changer les pales du ventilateur vous-même afin d'éviter tout accident.



Ne déplacez pas le ventilateur de refroidissement de l'eau en tirant sur le tuyau de fixation. Cela pourrait endommager le ventilateur.

PERFORMANCE DU PRODUIT



Réglez librement la vitesse du ventilateur grâce au système de commande à inverseur progressif à faible consommation d'énergie. Veuillez couper l'alimentation électrique et débrancher l'appareil lorsqu'il n'est pas utilisé ou que des personnes sortent.



La crémaillère à roulettes permet de se déplacer librement.



Système de refroidissement par évaporation.
Refroidit sans gouttelettes.



Vous pouvez ajouter des glaçons pour accentuer l'effet refroidissant.



Grande réserve d'eau pour un fonctionnement de 4 à 6 heures.



Dispositif de détection du manque d'eau pour éviter que la pompe ne s'épuise.



Filter la poussière tout en refroidissant l'air, et produit un air plus frais.



Conception portable, emmenez-le partout où vous le souhaitez.



100 % fabriqué à Taiwan, haute qualité.



Structure en PE solide et bien conçue.



Économisez de l'électricité dans un espace climatisé et refroidissez la pièce plus rapidement.

CONSIGNES D'UTILISATION

1 VEUILLEZ RESPECTER LES CONDITIONS CI-DESSOUS :



Le produit doit être branché sur une source d'alimentation monophasée de 220 VCA, 50 Hz. (Un autocollant d'instructions concernant la tension est apposé sur le produit).



La tension d'alimentation ne doit pas être supérieure ou inférieure de 10 % à la tension indiquée.



Température de fonctionnement adaptée : 0 °C à 45 °C.
Ne placez pas l'appareil à proximité d'une source de chaleur ou d'un feu.

2 Lorsque le niveau de stockage de l'eau est bas, la pompe s'arrête automatiquement. Veuillez remplir le réservoir jusqu'au maximum de l'échelle et ne pas le remplir trop.

3 Ne vous tenez pas debout, ne vous asseyez pas et ne placez pas d'objets sur le ventilateur. Cela pourrait entraîner des dommages, un basculement ou des blessures en cas de chute.

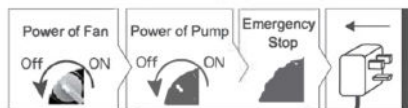
4 Gardez la boucle du compartiment d'entrée pour glaçons fixée après utilisation.

5 Ne détachez pas la protection du couvercle et les autres parties du ventilateur, sous peine d'endommager le ventilateur ou de provoquer un accident.

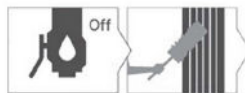
6 Veuillez prévoir une prise ou un câble isolé pour le ventilateur. Ne partagez pas la source d'alimentation avec d'autres équipements à forte consommation d'énergie afin de garantir la sécurité.

7 En désactivant l'interrupteur de la pompe, vous pouvez utiliser ce produit avec la seule fonction du ventilateur.

8 Pour garantir un effet de refroidissement optimal, il est conseillé de laver la plaque réfrigérante et de changer l'eau du réservoir une fois par semaine. Ouvrez le drain manuel situé en bas, puis remplissez à nouveau le réservoir. Le processus de nettoyage suivant permet de prolonger la durée de vie de la pompe.



A. Attention ! Avant de procéder au nettoyage, veuillez éteindre le ventilateur, le débrancher et l'éloigner de la source d'alimentation et de tout autre équipement.



B. Ouvrez l'orifice de vidange manuel situé en dessous, et lavez la plaque réfrigérante à l'aide d'une brosse douce par le haut. Après le lavage, attendez que l'eau usée s'écoule, puis fermez le drain.



C. Lorsque vous lavez la plaque réfrigérante, ne vaporisez pas d'eau directement sur le panneau de commande ou le couvercle de l'onduleur. Cela risque d'endommager le système de commande du moteur.



D. Essayez le boîtier du ventilateur avec une serviette humide, ne vaporisez pas d'eau et ne l'essayez pas avec un liquide volatil.

9 Les dommages causés au produit par les problèmes suivants ne sont pas couverts par notre garantie.

- A. L'alimentation est connectée à une tension incorrecte.
- B. Les dommages causés par les utilisateurs lors de la manipulation ou du transport.
- C. Les dommages causés par des catastrophes naturelles.
- D. Les dommages structurels causés par un liquide ou un gaz volatil.
- E. Un accident ou dommage causé par la connexion des fils ou le partage de l'alimentation avec d'autres équipements.
- F. Les dommages causés par la transformation ou le changement de pièces.
- G. Un dysfonctionnement causé par la modification des cordons d'alimentation.
- H. Les dommages causés par les projections d'eau ou la pluie.
- I. Les dommages causés à la pompe par un colmatage dû à un nettoyage négligent.

**N'hésitez pas à nous contacter
pour toute question.**

CARACTÉRISTIQUES ET MANUEL

CONTRÔLE PROGRESSIF DE LA VITESSE DU VENTILATEUR	PROTECTION CONTRE LES COURTS-CIRCUITS	MOTEUR À DÉMARRAGE PROGRESSIF	PROTECTION CONTRE LES FAIBLES NIVEAUX D'EAU	PROTECTION CONTRE LES SURINTENSITÉS

INSTRUCTION

GUIDE D'UTILISATION DU VENTILATEUR DE REFROIDISSEMENT À EAU

1 PROCESSUS DE FONCTIONNEMENT ET ARRIVÉE D'EAU AUTOMATIQUE :

Fixez le raccord rapide du tuyau d'arrivée d'eau à un robinet et serrez-le. Vérifiez que l'autre extrémité du connecteur est fixée au ventilateur de refroidissement. Ouvrez le robinet et remplissez le réservoir d'eau jusqu'au niveau le plus élevé de l'échelle de stockage de l'eau. Mettez la pompe sous tension (voir les instructions du panneau de commande ci-dessous) et laissez l'eau mouiller la plaque réfrigérante pendant 1 à 2 minutes, puis mettez le ventilateur sous tension et réglez sa vitesse. En suivant cette procédure, vous obtiendrez un refroidissement optimal de votre ventilateur.

2 INSTRUCTION SUR LE PANNEAU DE COMMANDE :



1	Voyant d'alimentation
2	Alimentation/ Arrêt d'urgence
3	Alimentation de la pompe
4	Alimentation du ventilateur
5	Régulateur de vitesse du ventilateur
6	Alimentation des volets

ALIMENTATION/ ARRÊT D'URGENCE

- Tournez le bouton et allumez le voyant d'alimentation.
- Appuyez sur le bouton pour couper l'alimentation en cas d'urgence. Veuillez suivre la procédure de mise en marche et d'arrêt ci-dessous pour une utilisation normale.

Attention : Une fois que vous avez appuyé sur le bouton d'arrêt d'urgence, le ventilateur redémarre après 20 secondes.

ALIMENTATION DE LA POMPE

- Activez le bouton, la pompe se met en marche lorsqu'il y a suffisamment d'eau dans le réservoir. La pompe ne démarre pas lorsque le niveau d'eau est bas. Remplissez le réservoir avant d'utiliser le système.

ALIMENTATION DU VENTILATEUR

- Mettez le ventilateur sous tension et tournez le régulateur de vitesse du ventilateur pour contrôler la vitesse.

RÉGULATEURS DE VITESSE DES VENTILATEURS

- Contrôlez la vitesse du ventilateur lorsque le ventilateur est en marche. De 0 à 100 ; plus le chiffre est élevé, plus la vitesse du ventilateur est rapide.

ALIMENTATION DES VOILETS

- Contrôlez les volets électriques

MISE SOUS TENSION ET HORS TENSION



- 1 - Branchez le ventilateur
- 2 - Activez l'interrupteur d'alimentation
- 3 - Le voyant d'alimentation s'allume
- 4 - Mettez la pompe sous tension pendant 1 à 2 minutes pour permettre à la plaque réfrigérante de s'humidifier
- 5 - Mettez le ventilateur sous tension
- 6 - Réglez la vitesse du ventilateur



- 1 - Éteignez la pompe et laissez le ventilateur fonctionner pendant 30 minutes pour sécher le fluide de refroidissement, puis éteignez le ventilateur.
- 2 - Tournez le régulateur de vitesse sur 0
- 3 - Coupez l'alimentation du ventilateur
- 4 - Appuyez sur l'arrêt d'urgence
- 5 - Débranchez le ventilateur

ÉTIQUETTE INSTRUCTIONS PANNEAU

1~AC230V

Caractéristiques d'alimentation

! WARNING / DANGEROUS**ELECTRIC SHOCK
OPERATE CAREFULLY****DON'T SPRAY WATER**

L'onduleur et le contrôleur du ventilateur sont installés ici.
Essuyez le ventilateur avec une serviette humide.

La pulvérisation d'eau peut provoquer
une fuite électrique ou un court-circuit.

! AVOID HIGH WATER PRESSURE**WATER IN**

La pression d'entrée de l'eau ne doit
pas être supérieure à 4,5 bar.

WATER OUT

Vidange manuelle. Ouvrez le système
pour remplacer et nettoyer les pièces.

! WARNING**RISK OF
DRAW IN****DANGEROUS
DON'T TOUCH**

Ne vous approchez pas
du ventilateur et ne le touchez
pas lorsqu'il fonctionne.

**Warning****Do not open it
when the fan
is running.**

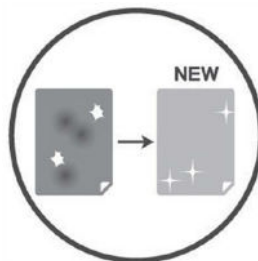
Entrée pour glaçons

**NETTOYAGE ET ENTRETIEN
REPLACEZ L'EAU RÉGULIÈREMENT**

1 Pendant l'utilisation, de la poussière et des particules se déposent à l'intérieur du réservoir. Cela peut limiter la capacité de refroidissement du ventilateur et provoquer des odeurs désagréables. Nous vous conseillons de changer l'eau du réservoir au moins une fois par semaine; ajoutez-en plus si nécessaire. Ne vaporisez pas d'eau directement sur l'onduleur ou le panneau de commande.

2 Le ventilateur de refroidissement peut filtrer la poussière et les particules. Lorsque le ventilateur est utilisé dans une zone où l'air est de mauvaise qualité, il est conseillé d'ouvrir le drain manuel pour évacuer l'eau après utilisation. Remplissez le réservoir lors de la prochaine utilisation, si nécessaire.

3 Vidange manuelle: Au bas du ventilateur de refroidissement. Tournez le bouton pour ouvrir et laisser s'écouler l'eau. Refermez-le ensuite.

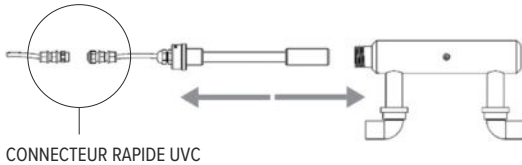


Les plaques réfrigérantes de l'eau sont des consommables. Veuillez nous contacter ou contacter notre distributeur pour un remplacement en cas de tache ou de dommage.

NETTOYAGE À LA LUMIÈRE UV

1 Avant de commencer le processus, veuillez appuyer sur le bouton rouge (arrêt d'urgence).

2 Débranchez le cordon d'alimentation pour éviter tout risque d'électrocution.



Après avoir vérifié que le refroidisseur est débranché, veuillez suivre les instructions ci-dessous :

3 Ouvrez l'entrée d'admission de glaçons et détachez le connecteur rapide du tube de lumière UV.

4 Desserrez le presse-étoupe.

5 Desserrez la fixation en acier inoxydable.

6 Retirez le tube de lumière UV.

7 Le calcaire peut être éliminé en trempant le tube dans un produit anticalcaire à base d'acide citrique disponible dans le commerce. Immergez le tube dans un produit anticalcaire et rincez-le bien. Suivez les instructions du produit anticalcaire.

8 Rincez le tube optique avec de l'eau pour éliminer la solution. Remettez le tube UV dans son couvercle dans sa position d'origine.

9 Branchez correctement le connecteur rapide et fixez-le fermement.

10 Insérez le câble et fixez le presse-étoupe.

11 Fixez l'attache en acier inoxydable.

12 Après avoir installé le tube de lumière UV, fermez l'entrée d'admission des glaçons et terminez le processus.

AVERTISSEMENT



1 VEUILLEZ SUIVRE SCRUPULEUSEMENT LES INSTRUCTIONS DE CE MANUEL. LES DOMMAGES ET LES BLESSURES CAUSÉS PAR UNE UTILISATION INAPPROPRIÉE NE SONT PAS COUVERTS PAR LA GARANTIE.

2 NOUS NE SOMMES PAS RESPONSABLES DES ACCIDENTS CAUSÉS PAR LES PRODUITS TRANSFORMÉS PAR LES UTILISATEURS.

3 SI VOUS CONSTATEZ UN PROBLÈME QUI PEUT ÊTRE AVOIR ÉTÉ CAUSÉ PENDANT LE TRANSPORT, VEUILLEZ NOUS CONTACTER OU CONTACTER NOTRE DISTRIBUTEUR DANS VOTRE PAYS POUR UNE ASSISTANCE URGENTE.

4 AFIN D'ÉVITER TOUT ACCIDENT OU DOMMAGE, VEUILLEZ RESPECTER LES RÈGLES SUIVANTES :

- Vous devez apprendre à utiliser correctement la machine avant de l'utiliser.
- Vous devez lire le manuel et connaître toutes les instructions avant de l'utiliser.
- Vous devez lire le manuel et comprendre les instructions de l'étiquette avant d'utiliser l'appareil.

Le contenu de ce manuel, y compris les caractéristiques et la conception des produits, peut être modifié sans préavis.


EKO CHŁODNICE
REX14000 Przenośna chłodnica wyparna z inwerterem

MODEL	RAMA ZEWNĘTRZNA	ŁOPATY	SILNIK	PRĘDKOŚĆ OBROTOWA	GŁOŚNOŚĆ DŹWIĘKU (MAKS.)	NAPIĘCIE (NORMALNE)	GWARANCJA
REX14000	PE	3 łopaty 18" z nylonu 6 + włókna	450W klasa F	1380 obr./min	55 dB*	1Ø230 V, 50 Hz	2 lata **
PRĄD (MAKS.)	POBÓR MOCY (MAKS.)	ROZBIEG FAL (MAKS.)	ROZMIAR	MAGAZYNOWANIE WODY	WAGA	CAŁKOWITA WAGA Z WODĄ	
3.5A ±10%	510W/h ±10%	15 m w górę	Dł. 75" Szer. 50 Wys. 130 cm	50 l	45 kg	105kg	

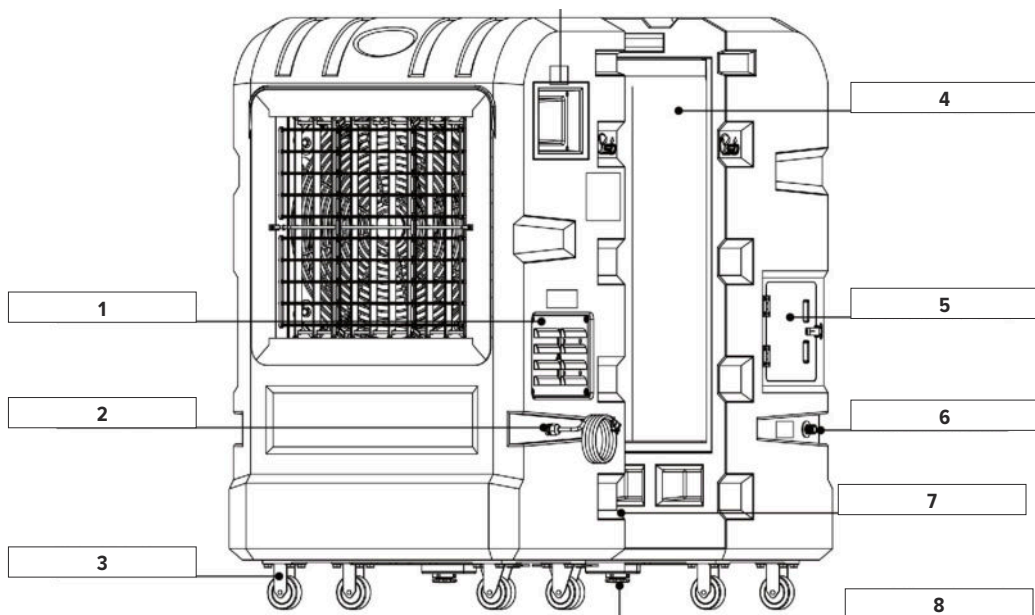
* (Dane dotyczące głośności dźwięku są odczytywane z odległości 3 m i podlegają weryfikacji w innym otoczeniu).

GWARANCJA

Wszystkie chłodnice Rex Nordic są objęte gwarancją braku wad materiałów i wykonawstwa na okres 2 miesięcy od daty zakupu. Gwarancja nie obejmuje: uszkodzeń spowodowanych wodą, niewłaściwej obsługi, wyrażistości kolorów, wykończenia kolorów, nieszczęśliwych wypadków i normalnego zużycia. W przypadku wszystkich reklamacji wymagany jest dowód zakupu.

1	Pokrywa inwertera
2	Przewód zasilający
3	Stojak na koła
4	Wodna wkładka chłodząca

5	Wpust kostek lodu
6	Automatyczny wlew wody
7	Wskaźnik ilości wody
8	Ręczny spust





REX25000 Przenośna chłodnica wyparna z inwerterem

MODEL	RAMA ZEWNIĘTRZNA	ŁOPATY	SILNIK	PRĘDKOŚĆ OBROTOWA	GŁOŚNOŚĆ DŹWIĘKU (MAKS.)	NAPIĘCIE (NORMALNE)	GWARANCJA
REX25000	PE	3 łopaty 30" z nylonu 6 + włókna	680W klasa F	1100 obr./min	60 dB*	1Ø230 V, 50 Hz	2 lata **
PRĄD (MAKS.)	POBÓR MOCY (MAKS.)	ROZBIEG FAL (MAKS.)	ROZMIAR	MAGAZYNOWANIE WODY	WAGA	CAŁKOWITA WAGA Z WODĄ	
5A ±10%	850W/h ±10%	20 m w górę	Dł. 132 * Szer. 69 Wys. 172 cm	170 l	100 kg	270kg	

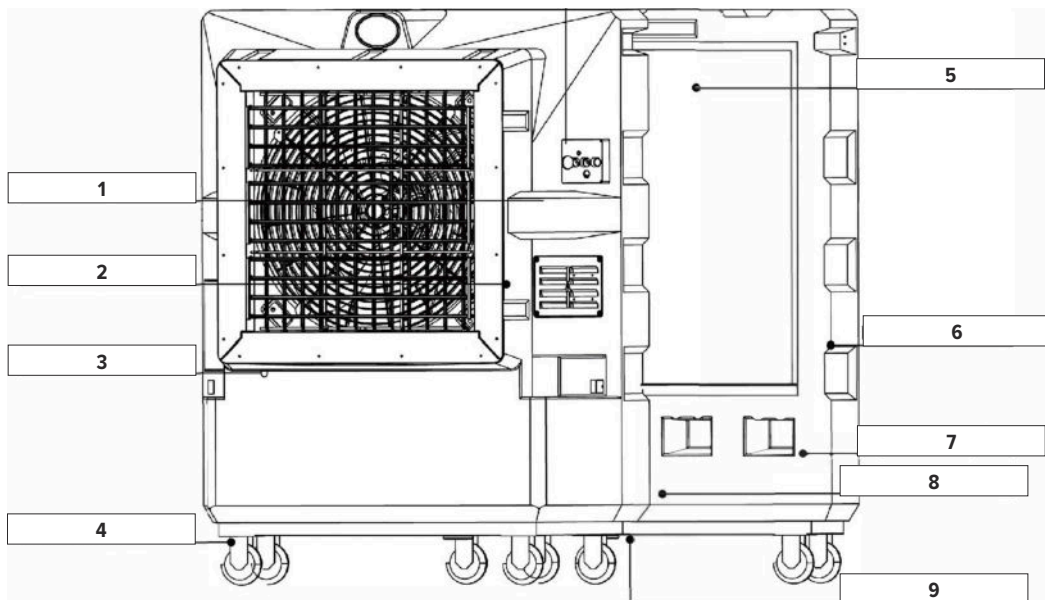
* (Dane dotyczące głośności dźwięku są odczytywane z odległości 3 m i podlegają weryfikacji w innym otoczeniu).

GWARANCJA

Wszystkie chłodnice Rex Nordic są objęte gwarancją braku wad materiałów i wykonawstwa na okres 2 miesięcy od daty zakupu. Gwarancja nie obejmuje: uszkodzeń spowodowanych wodą, niewłaściwej obsługi, wyrazistości kolorów, wykończenia kolorów, nieszczęśliwych wypadków i normalnego zużycia. W przypadku wszystkich reklamacji wymagany jest dowód zakupu.

1	Hak na przewód zasilający
2	Pokrywa inwertera
3	Automatyczny wlew wody
4	Stojak na koła
5	Wodna wkładka chłodząca

6	Wpust kostek lodu
7	Zbiornik wody
8	Wskaźnik ilości wody
9	Ręczny spust





Jesteśmy szczerze wdzięczni za zaufanie i wsparcie dla naszego produktu. Aby zapewnić prawidłowe i skuteczne użytkowanie, prosimy o zapoznanie się z niniejszą instrukcją przed użyciem tego produktu.

ŚRODKI OSTROŻNOŚCI

Przed czyszczeniem i konserwacją należy odłączyć produkt od zasilania!



Przed uruchomieniem chłodnicy wyparnej należy dokładnie zapoznać się z instrukcją.



Nie otwierać panelu sterowania ani pokrywy inwertera bez profesjonalnych wytycznych.



Nie obsługiwać panelu sterowania i nie dotykać wtyczki zasilania ani pokrywy inwertera mokrymi rękami.



Wtyczki nie podłączać do tego samego gniazdka z innymi urządzeniami ze względu na wysoki prąd rozruchowy chłodnicy. Do chłodnicy wyparnej zaleca się stosowanie przedłużacza o grubości powyżej 2,5 mm² (14 AWG). Długość przedłużacza nie powinna przekraczać 25 m.



Unikać używania starych przedłużaczy i gniazdek. Trzymać przewody z dala od źródeł ciepła i ognia. Nie umieszczać przewodów w miejscach, gdzie przemieszczają się ludzie lub pojazdy, aby zapobiec nadeptaniu lub pociągnięciu przewodu, które może spowodować wypadek.



Nie usuwać uziemienia wtyczki. Wybrać odpowiednie, mocno osadzone gniazdko, nie używać gniazdek bez uziemienia. Dla własnego bezpieczeństwa nie należy dokonywać modyfikacji przewodu zasilającego ani okablowania panelu sterowania.



To urządzenie nie jest w stanie pobierać i nigdy nie powinno być używane do pobierania: (1) gazów łatwopalnych, w tym gazu ropopochodnego, gazu paliwowego, czystego tlenu, gazowego wodoru itp., (2) łatwopalnych płynów, np. gazu, toluenu itp., (3) pyłów lub kryształów o niskiej temperaturze zapłonu, w tym magnezu, platyny, prochu strzelniczego itp.



Jeśli chłodnica nie działa prawidłowo, należy wyłączyć zasilanie i sprawdzić przewód, gniazdko oraz przedłużacz. Po sprawdzeniu można po chwili uruchomić chłodnicę ponownie. Jeśli problem nie zostanie rozwiązany, należy zwrócić się do sprzedawcy lub do naszej firmy, aby umówić się na naprawę. Nie odłączać ani nie wymieniać części zamiennych samodzielnie.



Umieszczać chłodnicę wyparną na płaskim podłożu. Podczas pracy naciskać przycisk hamulca. W przypadku wystąpienia szkód spowodowanych zalaniem należy odłączyć chłodnicę i przenieść ją w bezpieczne miejsce.



Jeśli przewidywane jest wyłączenie chłodnicy wyparnej z eksploatacji na pewien czas, należy otworzyć spust na dole lub włączyć automatyczny spust, aby odprowadzić wodę z urządzenia. Następnie włączyć chłodnicę na 1–2 godziny, aby osuszyć wkładkę chłodzącą. Po osuszeniu odłączyć chłodnicę i odstawić ją do przechowywania.



Aby napełnić zbiornik ręcznie, należy wyłączyć chłodnicę i otworzyć wlot kostek lodu w celu włania wody. Aby zapobiec nieszczęśliwym wypadkom, należy upewnić się, że woda jest daleko od źródła zasilania.



Strona wlotu powietrza (strona wkładki chłodzącej) nie powinna być skierowana w stronę płonących lub dymiących przedmiotów, w tym zapalek, popiołu, papierosa, cygara, węgla drzewnego itp. Uszkodzenia lub wypadki spowodowane przez powyższy problem nie są objęte gwarancją.



Podczas pracy nie należy otwierać pokrywy inwertera, pokrywy osłonowej chłodnicy ani wkładki chłodzącej znajdującej się z tyłu; nie należy także wrzucać niczego do chłodnicy, ze względu na ryzyko nieszczęśliwego wypadku.



Chłodnice wyparne wody są ciężkie. Należy zachować ostrożność podczas przemieszczania chłodnicy wyparnej, gdyż w przypadku uderzenia lub przewrócenia może dojść do obrażeń ciała.



Nie otwierać wlotu kostek lodu podczas pracy chłodnicy. Zbliżanie się do obracających się łopatek chłodnicy grozi obrażeniami oraz pękaniem łopatek.



Podczas czyszczenia chłodnicy wyparnej nie należy spryskiwać wodą panelu sterowania ani pokrywy inwertera, aby uniknąć uszkodzenia.



Nie wolno modyfikować, demontować ani naprawiać produktu samowolnie. Uszkodzenia powstałe w związku z powyższym problemem nie są objęte gwarancją. Prosimy o kontakt z naszą firmą w celu uzyskania pomocy technicznej.



Nie wolno samodzielnie modyfikować ani wymieniać łopatek wentylatora, ze względu na ryzyko nieszczęśliwego wypadku.



Nie wolno przemieszczać chłodnicy wyparnej, ciągnąc za wąż mocujący. Może to spowodować uszkodzenie chłodnicy.

PARAMETRY PRACY PRODUKTU



Prędkość pracy chłodnicy można swobodnie regulować, korzystając z oszczędnej energetycznie, bezstopniowego systemu sterowania inwerterowego. Na czas, gdy urządzenie nie jest używane lub nikogo nie ma w miejscu jego instalacji, należy odciąć dopływ prądu i odłączyć je od zasilania.



Produkt można swobodnie przemieszczać, korzystając z konstrukcji kół.



Wyparny układ chłodzenia. Chłód bez mgły.



Można dodać lodu, aby wzmocnić efekt chłodzenia.



Duży zbiornik na wodę umożliwiający pracę przez 4–6 godzin.



Urządzenie wykrywające niski poziom wody, chroniące przed przepaleniem pompy.



Filtruje kurz, jednocześnie chłodząc powietrze i wytwarzając świeższe powietrze.



Przenośna konstrukcja, urządzenie można zabrać wszędzie.



W 100% wyprodukowane na Tajwanie, charakteryzuje się wysoką jakością.



Mocna, dobrze zaprojektowana konstrukcja ramy z PE.



Oszczędzaj energię elektryczną w klimatyzowanej przestrzeni i szybciej schładzaj pomieszczenie.

INSTRUKCJA OBSŁUGI

1 PROSIMY O PRZESTRZEGANIE PONIŻSZYCH ZASAD:



Podłączać produkt do jednofazowego źródła zasilania AC 220 V, 50 Hz. (Na produkcie znajduje się naklejka ze wskazówkami dotyczącymi poziomu napięcia).



Napięcie zasilania nie powinno być wyższe ani niższe od napięcia znamionowego o ponad 10%.



Odpowiednia temperatura pracy: 0°C~45°C. Nie umieszczać urządzenia w pobliżu źródeł ciepła lub ognia.

2 Gdy poziom wody spadnie, pompa automatycznie się zatrzyma. Należy napełniać zbiornik do maksymalnego poziomu, nie przepelniać.

3 Nie stawać, nie siadać ani nie kłaść żadnych przedmiotów na chłodnicy. Może to spowodować uszkodzenie urządzenia, jego przewrócenie się lub obrażenia ciała w razie upadku przedmiotów.

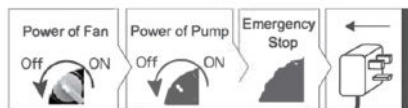
4 Po użyciu zawsze zapinać klamrę blokującą wejście kostek lodu.

5 Nie demontować pokrywy ani innych części chłodnicy, gdyż może to spowodować uszkodzenie chłodnicy lub nieszczęśliwy wypadek.

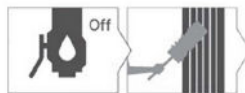
6 Do podłączania chłodnicy należy zapewnić izolowane gniazdo lub kabel. Ze względów bezpieczeństwa nie należy podłączać urządzenia do tego samego źródła zasilania z innymi urządzeniami o dużym poborze mocy.

7 Wylączając przełącznik pompy, produktu można używać wyłącznik jako wentylatora.

8 Aby zapewnić najlepszy efekt chłodzenia, zalecamy raz w tygodniu myć wkładkę chłodzącą i wymieniać wodę w zbiorniku. Otworzyć ręczny spust na dole, a następnie ponownie napełnić zbiornik. Poniższy proces czyszczenia wydłuża żywotność pompy.



A. Uwaga! Przed przystąpieniem do czyszczenia należy wyłączyć chłodnicę, odłączyć ją od prądu i odsunąć od źródła zasilania oraz innego sprzętu.



B. Otworzyć spust ręczny u dołu urządzenia i umyć wkładkę chłodzącą miękką szcetką od góry. Po umyciu poczekać, aż brudna woda spłynie, a następnie zamknąć spust.



C. Podczas mycia wkładki chłodzącej nie należy spryskiwać wodą bezpośrednio panelu sterowania ani pokrywy inwertera. Spowoduje to uszkodzenie kontrolera silnika.



D. Przecierać obudowę chłodnicą mokrym ręcznikiem, nie spryskując wodą i nie stosując płynów o właściwościach lotnych.

9 Uszkodzenia produktu spowodowane następującymi problemami nie są objęte naszą gwarancją.

- A. Podłączanie do źródła zasilania o nieprawidłowym napięciu.
- B. Uszkodzenia powstałe podczas obsługi lub transportu, spowodowane przez użytkowników.
- C. Uszkodzenia spowodowane kłóskami żywiołowymi.
- D. Uszkodzenia konstrukcyjne spowodowane przez lotną ciecz lub gaz.
- E. Wypadek lub uszkodzenie spowodowane sposobem podłączenia elektrycznego lub współdzieleniem źródła zasilania z innym sprzętem.
- F. Uszkodzenia spowodowane modyfikacją lub wymianą części.
- G. Usterka spowodowana modyfikacją przewodu.
- H. Uszkodzenia spowodowane przez rozpryski wody lub deszcz.
- I. Uszkodzenie pompy spowodowane zatkaniami na skutek nieprawidłowego czyszczenia.

W razie jakichkolwiek pytań zachęcamy do kontaktu z naszą firmą.

FUNKCJA I INSTRUKCJA

BEZSTOPNIOWE STE- ROWANIE PRĘDKOŚCIĄ PRACY CHŁODNICZY	ZABEZPIECZENIE PRZECIWWZARCIOWE	SILNIK MIĘKKIEGO STARTU	ZABEZPIECZENIE PRZED NISKIM POZIOMEM WODY	ZABEZPIECZENIE NADPRĄDOWE

INSTRUKCJA
INSTRUKCJA OBSŁUGI CHŁODNICZY WYPARNEJ
1 PROCES OBSŁUGI I AUTOMATYCZNY DOPŁYW WODY:

Podłączyć szybkozłączkę węża dopływowego wody do kranu i dokręcić ją. Sprawdzić i upewnić się, czy złącze po drugiej stronie jest przymocowane do chłodnicy. Odkręcić kran i napełnić zbiornik wodą do najwyższego poziomu. Włączyć zasilanie pompy (zob. poniższa instrukcja obsługi panelu sterowania), odczekać 1–2 minuty na zwilżenie wkładki chłodzącej, następnie włączyć zasilanie chłodnicy i wyregulować prędkość jej pracy. Postępowanie zgodne z tą procedurą gwarantują optymalny efekt chłodzenia przez chłodnicę.

2 INSTRUKCJA OBSŁUGI PANELU STEROWANIA:

1	Wskaźnik mocy
2	Zasilanie/zatrzymanie awaryjne
3	Zasilanie pompy
4	Zasilanie chłodnicy
5	Regulator prędkości pracy chłodnicy
6	Zasilanie osłon


ZASILANIE/ZATRZYMANIE AWARYJNE

- Przekręcić przycisk – zaświeci się wskaźnik zasilania.
- Naciśnięcie przycisku, aby wyłączyć zasilanie w przypadku wystąpienia sytuacji awaryjnej. W celu zwykłego użytkowania postępować zgodnie z poniższą procedurą włączania i wyłączania.

Uwaga: Po naciśnięciu przycisku zatrzymania awaryjnego chłodnicę można uruchomić po 20 sekundach.

ZASILANIE POMPY

- Włączyć przycisk – pompa uruchomi się, gdy w zbiorniku będzie wystarczająca ilość wody. Pompa nie uruchomi się, gdy poziom wody będzie niski. Przed użyciem należy napełnić zbiornik.

ZASILANIE CHŁODNICZY

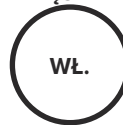
- Włączyć chłodnicę i ustawić prędkość regulatorem.

REGULATORY PRĘDKOŚCI PRACY CHŁODNICZY

- Prędkość pracy chłodnicy należy regulować, gdy urządzenie jest włączone. Dostępna jest skala 0-100, przy czym im wyższa liczba, tym szybciej pracuje urządzenie.

ZASILANIE OSŁON

- Sterowanie osłonami elektrycznymi

WŁĄCZANIE I WYŁĄCZANIE


- 1 - Podłączyć chłodnicę do prądu
- 2 - Włączyć zasilanie włącznikiem
- 3 - Wskaźnik zasilania zaświeci się
- 4 - Włączyć zasilanie pompy na 1–2 min. aby zmoczyć wkładkę chłodzącą
- 5 - Włączyć zasilanie chłodnicy
- 6 - Wyregulować prędkość chłodnicy



- 1 - Wyłączyć pompę i pozostaw włączony wentylator na około 30 minut, tak aby czynnik chłodzący mógł wyschnąć, a następnie wyłączyć wentylator.
- 2 - Ustaw regulator prędkości na 0
- 3 - Wyłącz zasilanie wentylatora
- 4 - Naciśnij włącznik awaryjny
- 5 - Odłącz wentylator

ETYKIETY INSTRUKCJI NA PANELU

1~AC230V

Specyfikacja mocy

! WARNING / DANGEROUS**ELECTRIC SHOCK
OPERATE CAREFULLY****DON'T SPRAY WATER**

Tu instaluje się inwerter i kontroler chłodnicy. Chłodnicę wycierać mokrym ręcznikiem. Spryskiwanie urządzenia wodą może spowodować upływ prądu lub zwarcie.

! AVOID HIGH WATER PRESSURE**WATER IN**

Ciśnienie na wlocie wody nie powinno przekraczać 4,5 bara.

WATER OUT

Ręczny spust. Otworzyć w celu wymiany i płukania.

! WARNING**RISK OF
DRAW IN****DANGEROUS
DON'T TOUCH**

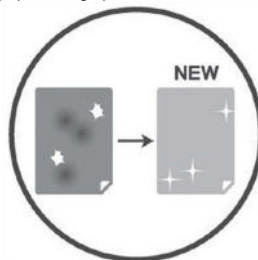
Nie zbliżać się do chłodnicy i nie dotykać jej podczas pracy.

**Warning****Do not open it
when the fan
is running.**

Wpust kostek lodu

**CZYSZCZENIE I KONSERWACJA
NALEŻY REGULARNIE WYMIENIAĆ WODĘ**

- 1** Podczas użytkowania kurz i cząstki stałe osadzają się wewnątrz zbiornika. Może to obniżyć wydajność chłodzenia i powodować nieprzyjemny zapach. Sugerujemy wymianę wody w zbiorniku przynajmniej raz w tygodniu, a w razie potrzeby częściej. Nie przyskaj wodą bezpośrednio na inwerter lub panel sterowania.
- 2** Chłodnica wyparna może odfiltrowywać kurz i zabrudzenia. Jeżeli chłodnica jest eksploatowana w miejscu o niskiej jakości powietrza, po użyciu sugerujemy otwieranie spustu ręcznego i odprowadzanie wody. Przy ponownym uruchomieniu należy uzupełnić zbiornik według własnych potrzeb.
- 3** Ręczny spust: U dołu chłodnicy wyparnej. Obracając pokrętkę, otworzyć i wypuścić wodę. Następnie obrócić je ponownie do poprzedniego położenia.

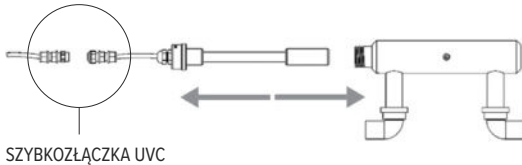


Wkładki chłodzące wodę są materiałami eksploatacyjnymi. W przypadku ich zabrudzenia lub uszkodzenia prosimy o kontakt z naszą firmą lub naszym dystrybutorem w celu wymiany.

PROCES CZYSZCZENIA ŚWIATŁEM UV

1 Przed rozpoczęciem procesu należy nacisnąć czerwony przycisk (zatrzymanie awaryjne).

2 Odłączyć przewód zasilający, aby uniknąć porażenia prądem.



Po upewnieniu się, że chłodziwa jest odłączona od zasilania, postępować zgodnie z poniższą instrukcją:

3 Otworzyć wejście kostek lodu i rozłączyć szybkozłączkę lampy UV.

4 Poluzować dławik kablowy.

5 Poluzować łącznik ze stali nierdzewnej.

6 Wyjąć rurkę lampy UV.

7 Kamień można usunąć, zanurzając rurkę w odkamieniaczu na bazie kwasu cytrynowego, dostępnym w zwykłej sprzedaży. Namoczyć rurkę w odkamieniaczu i dobrze wypłukać. Postępować zgodnie ze wskazówkami dotyczącymi usuwania kamienia.

8 Przepłukać rurkę lampy wodą, usuwając roztwór preparatu. Włożyć rurkę lampy UV z powrotem do obudowy w pierwotnej pozycji.

9 Szybkozłączkę prawidłowo podłączyć i mocno dokręcić.

10 Włożyć kabel i zamocować dławik.

11 Zamocować łącznik ze stali nierdzewnej.

12 Po zainstalowaniu lampy UV zamknąć wejście kostek lodu, kończąc proces.

OSTRZEŻENIE



1 POSTĘPOWAĆ ZGODNIE ZE WSKAZÓWKAMI ZAWARTYMI W TEJ INSTRUKCJI. USZKODZENIA I OBRAŻENIA SPOWODOWANE NIEWŁAŚCIWYM UŻYTKOWANIEM NIE SĄ OBJĘTE GWARANCJĄ.

2 NIE PONOSIMY ODPOWIEDZIALNOŚCI ZA WYPADKI SPOWODOWANE PRZEZ MODYFIKACJĘ PRODUKTU PRZEZ UŻYTKOWNIKÓW.

3 W RAZIE STWIERDZENIA JAKIEGOKOLWIEK PROBLEMU, KTÓRY MÓGŁ POWSTAĆ PODCZAS DOSTAWY, NALEŻY SKONTAKTOWAĆ SIĘ Z NASZĄ FIRMĄ LUB NASZYM DYSTRYBUTOREM W SWOIM KRAJU W CELU UZYSKANIA PILNEJ POMOCY.

4 ABY UNIKNĄĆ WYPADKÓW LUB USZKODZEŃ, NALEŻY POSTĘPOWAĆ ZGODNIE Z PONIŻSZYMI ZASADAMI:

- Przed użyciem należy nauczyć się prawidłowej obsługi urządzenia.
- Przed użyciem należy przeczytać instrukcję i zapoznać się ze wszystkimi zawartymi w niej wskazówkami.
- Przed użyciem należy przeczytać instrukcję i zrozumieć oznaczenia na etykiecie.

Treść niniejszej instrukcji, w tym specyfikacje i parametry konstrukcyjne produktów, może ulec zmianie bez wcześniejszego powiadomienia.


REFRIGERATORI ECO
REX14000 Ventilatore raffrescatore portatile ad acqua con inverter

MODELLO	TELAIO ESTERNO	PALE	MOTORE	VELOCITÀ DI ROTAZIONE	VOLUME AUDIO (MAX.)	TENSIONE (REGOLARE)	GARANZIA
REX14000	PE	3 Pale in nylon + 6 in fibra da 18"	450W grado F	1380 giri al minuto	55 dB*	1Ø230 V, 50 Hz	2 anni **
CORRENTE (MAX.)	CONSUMO ENERGETICO (MAX.)	RECUPERO ARIA (MAX.)	DIMENSIONI	STOCCAGGIO ACQUA	PESO	PESO TOTALE CON ACQUA	
3.5A ±10%	510W/h ±10%	da 15 metri in su	L 75 x W 50 x H 130 cm	50 L	45 kg	105 kg	

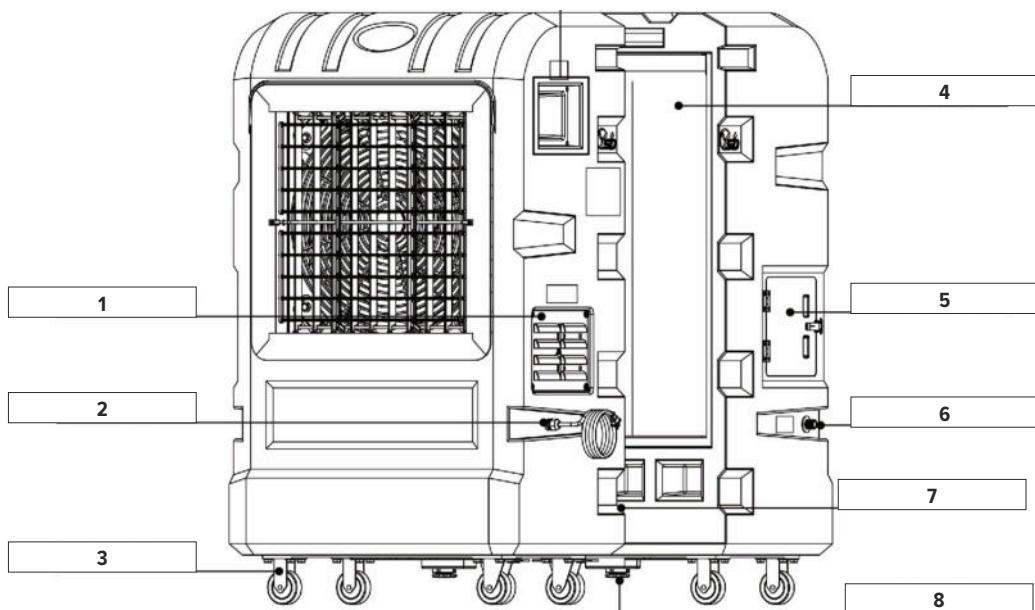
*(I dati sul volume del suono vengono rilevati da una distanza di 3 m e verranno verificati in un'area circostante diversa.)

****GARANZIA**

Tutti i refrigeratori Rex Nordic Eco sono garantiti contro difetti di materiali e lavorazione per un periodo di 2 anni dalla data di acquisto. La garanzia non copre: danni causati dall'acqua, manipolazione impropria, sbiadimento o rivestimento del colore, incidenti o usura. Per tutti i reclami è necessaria la prova d'acquisto.

1	Coperchio inverter
2	Cavo di alimentazione
3	Rack ruota
4	Pannello di raffreddamento ad acqua

5	Apertura cubetti di ghiaccio
6	Ingresso automatico acqua
7	Indicazione di misura livello acqua
8	Scarico manuale





REX25000 Ventilatore raffrescatore portatile ad acqua con inverter

MODELLO	TELAIO ESTERNO	PALE	MOTORE	VELOCITÀ DI ROTAZIONE	VOLUME AUDIO (MAX.)	TENSIONE (REGOLARE)	GARANZIA
REX25000	PE	3 Pale in nylon + 6 in fibra da 30°	680W grado F	1100 giri al minuto	60 dB*	1Ø230 V, 50 Hz	2 anni **
CORRENTE (MAX.)	CONSUMO ENERGETICO (MAX.)	RECUPERO ARIA (MAX.)	DIMENSIONI	STOCCAGGIO ACQUA	PESO	PESO TOTALE CON ACQUA	
5A ±10%	850W/h ±10%	da 20 metri in su	L 132 x W 69 x H 172 cm	170 L	100 kg	270 kg	

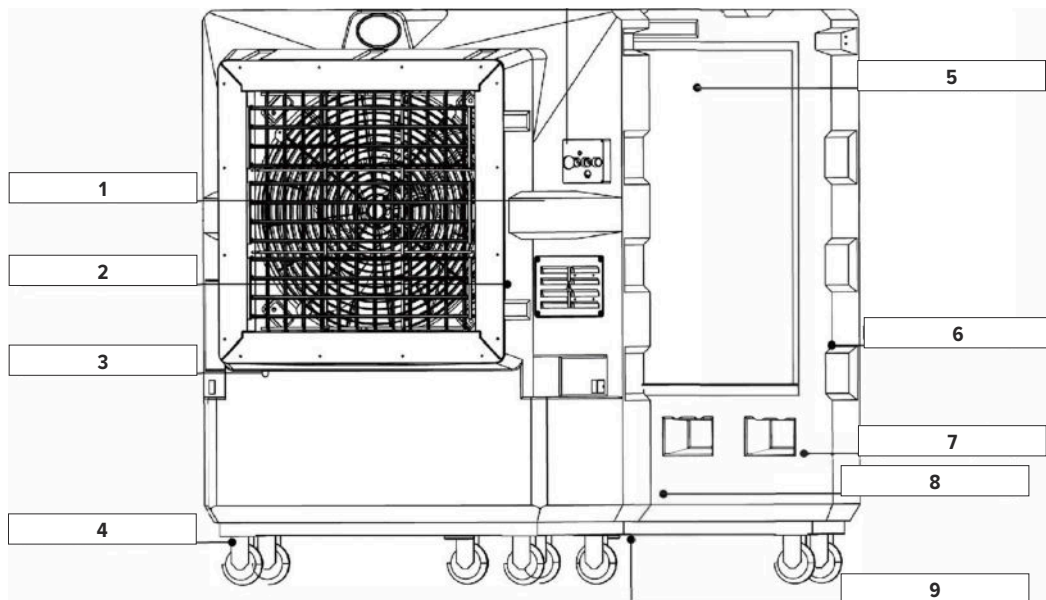
* (I dati sul volume del suono vengono rilevati da una distanza di 3 m e verranno verificati in un'area circostante diversa.)

**GARANZIA

Tutti i refrigeratori Rex Nordic Eco sono garantiti contro difetti di materiali e lavorazione per un periodo di 2 anni dalla data di acquisto. La garanzia non copre: danni causati dall'acqua, manipolazione impropria, sbiadimento o rivestimento del colore, incidenti o usura. Per tutti i reclami è necessaria la prova d'acquisto.

1	Gancio del cavo di alimentazione
2	Coperchio inverter
3	Ingresso automatico acqua
4	Rack ruota
5	Pannello di raffreddamento ad acqua

6	Apertura cubetti di ghiaccio
7	Serbatoio acqua
8	Indicazione di misura livello acqua
9	Scarico manuale





Vi ringraziamo sinceramente per la fiducia e il sostegno che dimostrate al nostro prodotto. Prima di utilizzare questo prodotto, leggere attentamente il presente manuale al fine di garantirne un utilizzo corretto ed efficace.

PRECAUZIONI DI SICUREZZA

Scollegare la connessione elettrica prima della pulizia e della manutenzione!



Leggere attentamente il manuale prima di azionare il ventilatore raffrescatore ad acqua.



Non aprire il pannello di controllo o il coperchio dell'inverter senza una guida qualificata.



Non utilizzare il pannello di controllo e non toccare la spina di alimentazione e il coperchio dell'inverter con le mani bagnate.



Non condividere la spina con altre apparecchiature a causa dell'elevata corrente di avvio del ventilatore. Scegliere una prolunga superiore a 2,5 mm² (14 AWG) per il ventilatore raffrescatore ad acqua, la prolunga non deve superare i 25 m.



Evitare l'uso di prolunghe o prese vecchie. Tenere i cavi lontano da fonti di calore e fiamme. Non posizionare i cavi in punti di passaggio di persone o di traffico per evitare che vengano calpestati o tirati, causando incidenti.



Non rimuovere la parte di terra della spina. Scegliere una presa corretta e a tenuta, non utilizzare una senza messa a terra. Per la propria sicurezza, non modificare il cavo di alimentazione o il cablaggio del pannello di controllo.



Questa unità non è in grado di, e pertanto non deve mai essere utilizzata per, aspirare: (1) gas infiammabili, inclusi gas di petrolio, gas combustibile, ossigeno puro, gas idrogeno, ecc. (2) liquidi infiammabili, come gas, toluene, ecc. (3) polvere o cristalli che hanno un basso punto di infiammabilità, tra cui magnesio, platino, polvere da sparo, ecc.



Se il ventilatore non funziona bene, spegnere l'alimentazione e controllare il cavo, la presa e la prolunga. Una volta effettuato il controllo, riavviare il ventilatore dopo un po' di tempo. Se il problema non viene risolto, contattare il rivenditore o la nostra azienda per assistenza e riparazione. Non staccare o sostituire autonomamente i pezzi di ricambio.



Posizionare il ventilatore raffrescatore ad acqua su una superficie piana e premere il pulsante del freno durante il funzionamento. In caso di danni da allagamento, scollegare il ventilatore e spostarlo in un luogo sicuro.



Quando non si utilizza il ventilatore raffrescatore per un po', aprire lo scarico sul fondo o azionare lo scarico automatico per far uscire l'acqua. Quindi accendere il ventilatore per 1-2 ore per asciugare il pannello di raffreddamento. Dopo l'asciugatura, scollegare il ventilatore per riparlo.



Per riempire manualmente il serbatoio, spegnere il ventilatore e aprire l'apertura per i cubetti di ghiaccio per versarvi l'acqua. Per evitare incidenti, assicurarsi che l'operazione si svolga lontano dalla corrente.



Non rivolgere il lato di ingresso dell'aria (il lato del pannello di raffreddamento) verso oggetti che bruciano o emettono fumo, inclusi fiammiferi, cenere, sigarette, sigari, carbone, ecc. I danni o gli incidenti causati dai punti precedenti non sono coperti dalla garanzia.



Durante il funzionamento, non aprire il coperchio dell'inverter, il coperchio di protezione del ventilatore o il pannello di raffreddamento sul retro; inoltre, non lanciare nulla verso il ventilatore per evitare incidenti.



I ventilatori raffrescanti ad acqua sono pesanti. Prestare attenzione durante un eventuale spostamento, poiché potrebbe causare lesioni alle persone in caso di urto o ribaltamento.



Non aprire l'apertura per i cubetti di ghiaccio mentre il ventilatore è in funzione. Avvicinarsi alle pale del ventilatore in funzione potrebbe provocare lesioni e incrinare le pale.



Per evitare danni, durante la pulizia del ventilatore raffrescante non spruzzare acqua sul pannello di controllo o sul coperchio dell'inverter.



Non modificare, smontare o riparare il prodotto senza istruzioni. I danni causati dal punto precedente non sono coperti dalla garanzia. Contattare la nostra azienda per ricevere assistenza.



Per evitare incidenti, non modificare o cambiare le pale del ventilatore in autonomia.



Non spostare il ventilatore raffrescante ad acqua tirando il tubo di collegamento. Ciò potrebbe danneggiarlo.

PRESTAZIONI DEL PRODOTTO



Regolazione agevole della velocità del ventilatore con il sistema di controllo continuo dell'inverter a risparmio energetico. Interruzione dell'alimentazione e scollegamento della spina in caso di non utilizzo del prodotto o assenza di persone nel locale.



Spostamento agevole grazie alla cremagliera con rotelle.



Sistema di raffreddamento evaporativo. Fresco senza nebbia.



Possibilità di aggiungere del ghiaccio per migliorare l'effetto rinfrescante.



Serbatoio dell'acqua di grandi dimensioni, per consentire un funzionamento di 4-6 ore.



Dispositivo di rilevamento della quantità di acqua per evitare che la pompa si bruci.



Filtraggio della polvere durante il raffrescamento dell'aria.



Design portatile, può andare ovunque.



100% made in Taiwan con materiali di alta qualità.



Telaio in PE con struttura resistente e ben progettata.



Risparmio energetico in uno spazio climatizzato e raffreddamento più rapido dei locali.

ISTRUZIONI PER L'USO
1 RISPETTARE LE SEGUENTI CONDIZIONI:


Collegare il prodotto a una fonte di alimentazione CA 220 V, 50 Hz, monofase (sul prodotto è presente un adesivo con le istruzioni sulla tensione).



La tensione di alimentazione non deve essere superiore o inferiore del 10% rispetto alla tensione indicata.



Temperatura operativa adatta: 0 °C~45 °C. Non posizionare la macchina vicino a fonti di calore o fiamme.

2 Quando il livello dell'acqua si abbassa, la pompa si arresta automaticamente. Riempire il serbatoio fino alla misura massima, ma non eccessivamente.

3 Non salire in piedi, non sedersi o appoggiare oggetti sul ventilatore. Queste azioni potrebbero causare danni, ribaltamento o lesioni.

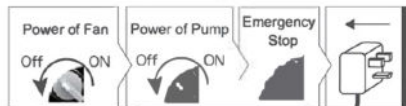
4 Dopo l'uso, tenere chiuso il fermaglio dell'apertura per i cubetti di ghiaccio.

5 Non staccare la protezione del coperchio e le altre parti del ventilatore, altrimenti potrebbero verificarsi danni o incidenti al ventilatore stesso.

6 Prevedere una presa o un cavo isolato per il ventilatore. Per garantire la sicurezza, non condividere la fonte di alimentazione con altre apparecchiature ad alto consumo energetico.

7 Spegnendo l'interruttore della pompa, è possibile utilizzare questo prodotto con la sola funzione di ventilatore.

8 Per garantire il miglior effetto di raffreddamento, si consiglia di lavare il pannello di raffreddamento e di cambiare l'acqua del serbatoio una volta alla settimana. Aprire lo scarico manuale sul fondo, quindi riempire nuovamente il serbatoio. Il seguente processo di pulizia prolunga la durata della pompa.



A. Attenzione! Prima di procedere alla pulizia, spegnere il ventilatore, staccare la spina e allontanare l'apparecchio dalla fonte di alimentazione e da altre apparecchiature.



B. Aprire lo scarico manuale sottostante e lavare dall'alto il pannello di raffreddamento con una spazzola morbida. Dopo il lavaggio attendere che l'acqua di scarico defluisca, quindi chiudere lo scarico.



C. Durante il lavaggio del pannello di raffreddamento, non dirigere il getto dell'acqua direttamente sul pannello di controllo o sul coperchio dell'inverter. Ciò danneggerebbe il controller del motore.



D. Pulire l'alloggiamento del ventilatore con un panno umido, non spruzzare acqua e non pulirlo con liquidi volatili.

9 I danni al prodotto causati dai seguenti problemi non sono coperti dalla nostra garanzia.

- A. Alimentazione con tensione non corretta.
- B. Danni causati dagli utenti durante la movimentazione o il trasporto.
- C. Danni causati da calamità naturali.
- D. Danni strutturali causati da liquidi o gas volatili.
- E. Incidenti o danni causati dal collegamento dei cavi o dalla condizione dell'alimentazione con altre apparecchiature.
- F. Danni causati dalla modifica o dalla sostituzione delle parti.
- G. Malfunzionamento causato da alterazione dei cavi.
- H. Danni causati da spruzzi d'acqua o pioggia.
- I. Danni alla pompa causati da intasamento per pulizia non accurata.

**Contattare la nostra azienda
per qualsiasi domanda.**

CARATTERISTICHE E MANUALE

				
CONTROLLO CONTINUO VELOCITÀ VENTILATORE	PROTEZIONE DA CORTOCIRCUITO	MOTORE AD AVVIAMENTO GRADUALE	PROTEZIONE BASSO LIVELLO ACQUA	PROTEZIONE DA SOVRACORRENTE

ISTRUZIONI

GUIDA AL FUNZIONAMENTO DEL VENTILATORE RAFFRESCATORE AD ACQUA

1 PROCESSO DI FUNZIONAMENTO E INGRESSO AUTOMATICO DELL'ACQUA: Collegare il connettore rapido del tubo di ingresso dell'acqua a un rubinetto e serrarlo. Verificare che l'altra estremità del connettore sia fissata al ventilatore raffrescatore. Aprire il rubinetto e riempire il serbatoio dell'acqua fino al livello più alto. Accendere la pompa (vedere le istruzioni del pannello di controllo) e lasciare che l'acqua bagni il pannello di raffreddamento per 1-2 minuti, quindi accendere il ventilatore e regolarne la velocità. Seguendo questa procedura il ventilatore produrrà il miglior effetto di raffreddamento.

2 ISTRUZIONI PER IL PANNELLO DI CONTROLLO:

1	Indicatore di energia
2	Alimentazione/Arresto di emergenza
3	Alimentazione della pompa
4	Alimentazione del ventilatore
5	Regolatore di velocità del ventilatore
6	Alimentazione delle alette



ALIMENTAZIONE/ARRESTO DI EMERGENZA

- Ruotare il pulsante e accendere l'indicatore di alimentazione.
- Premere il pulsante per spegnere l'alimentazione in caso di emergenza. Per l'utilizzo normale, seguire la procedura di accensione e spegnimento riportata di seguito.

Attenzione: Una volta premuto l'arresto di emergenza, il ventilatore si riavvia dopo 20 secondi.

ALIMENTAZIONE DELLA POMPA

- Accendendo il pulsante, la pompa si avvia non appena il livello dell'acqua nel serbatoio è sufficiente. La pompa non si avvia quando il livello dell'acqua è basso. Riempire il serbatoio prima dell'uso.

ALIMENTAZIONE DEL VENTILATORE

- Accendere il ventilatore e, per controllare la velocità, ruotare il regolatore pertinente.

REGOLATORI DI VELOCITÀ DEL VENTILATORE

- Controllano la velocità mentre il ventilatore è acceso. Da 0 a 100; più alto è il numero, più veloce è il ventilatore.

ALIMENTAZIONE DELLE ALETTE

- Controlla le alette elettriche

ACCENSIONE E SPEGNIMENTO



- 1- Collegare il ventilatore
- 2- Accendere l'interruttore di alimentazione
- 3- L'indicatore di alimentazione si accende
- 4- Accendere la pompa per 1-2 minuti per far bagnare il pannello di raffreddamento
- 5- Accendere il ventilatore
- 6- Regolare la velocità del ventilatore



- 1- Spegner la pompa e lasciare la ventola in funzione per 30 minuti per asciugare il mezzo di raffreddamento, quindi spegnere la ventola.
- 2 - Ruotare il regolatore di velocità su 0
- 3 - Spegner l'alimentazione del ventilatore
- 4 - Premere l'arresto di emergenza
- 5 - Scollegare la ventola

**INDICAZIONE DELLE ISTRUZIONI
RIPORTATE SULL'ETICHETTA****1~AC230V**

Specifiche di alimentazione

! WARNING / DANGEROUS**ELECTRIC SHOCK
OPERATE CAREFULLY****DON'T SPRAY WATER**

Qui sono installati l'inverter e il controller del ventilatore.
Pulire il ventilatore con un asciugamano bagnato. Gli spruzzi
d'acqua potrebbero causare perdite elettriche o cortocircuiti.

! AVOID HIGH WATER PRESSURE**WATER IN**

La pressione di ingresso dell'acqua
non deve superare i 4,5 bar.

WATER OUT

Scarico manuale. Aprire durante il cambio e il lavaggio.

! WARNING**RISK OF
DRAW IN****DANGEROUS
DON'T TOUCH**

Non avvicinarsi o toccare
il ventilatore
durante il funzionamento.

**Warning****Do not open it
when the fan
is running.**

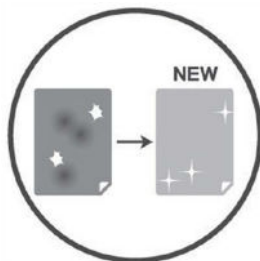
Apertura cubetti di
ghiaccio

**PULIZIA E MANUTENZIONE
CAMBIARE REGOLARMENTE L'ACQUA**

1 Durante l'uso, polvere e particelle si depositano all'interno del serbatoio. Ciò può ridurre la capacità di raffreddamento del ventilatore e generare cattivi odori. Si consiglia di cambiare l'acqua nel serbatoio almeno una volta alla settimana; aggiungere più volte se necessario. Non spruzzare acqua direttamente sull'inverter o sul pannello di controllo.

2 Il ventilatore raffreddatore può filtrare polvere e particelle. Quando si utilizza il ventilatore in un'area con aria viziata, si consiglia di aprire lo scarico manuale per far uscire l'acqua dopo l'uso. Riempire il serbatoio la volta successiva, quando necessario.

3 Scarico manuale: nella parte inferiore del ventilatore raffreddatore. Ruotare la manopola per aprire e far uscire l'acqua. Ruotare al contrario dopo l'uso.

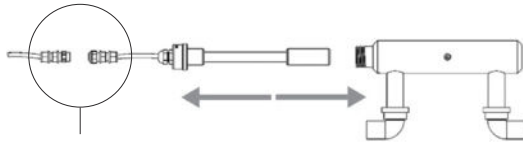


I pannelli di raffreddamento ad acqua sono materiali di consumo. In caso di macchie o danni, contattare la nostra azienda o il nostro distributore per la sostituzione.

PROCEDURA DI PULIZIA LAMPADA UV

1 Prima di iniziare la procedura, premere il pulsante rosso (arresto di emergenza).

2 Scollegare il cavo di alimentazione per evitare scosse elettriche.



CONNETTORE RAPIDO UVC

Dopo essersi assicurati che il dispositivo di raffreddamento sia scollegato, seguire la presente guida:

3 Aprire l'apertura per i cubetti di ghiaccio e sganciare il connettore rapido del tubo di luce UV.

4 Allentare il pressacavo.

5 Allentare il dispositivo di fissaggio in acciaio inox.

6 Estrarre il tubo di luce UV.

7 Il calcare può essere rimosso immergendo il tubo in un prodotto anticalcare a base di acido citrico reperibile in commercio. Immergere il tubo nel prodotto anticalcare e risciacquare bene. Seguire le istruzioni del prodotto anticalcare.

8 Sciacquare il tubo con acqua per eliminare la soluzione. Rimettere il tubo di luce UV nella sua custodia.

9 Collegare correttamente il connettore rapido e fissarlo saldamente.

10 Inserire il cavo e fissare il pressacavo.

11 Fissare il dispositivo di fissaggio in acciaio inox.

12 Dopo aver installato il tubo di luce UV, chiudere l'apertura per i cubetti di ghiaccio e terminare la procedura.

AVVERTENZE



1 SEGUIRE ATTENTAMENTE LA GUIDA CONTENUTA NEL PRESENTE MANUALE. DANNI E LESIONI CAUSATI DA UN USO IMPROPRIO NON SONO COPERTI DALLA GARANZIA.

2 NON SIAMO RESPONSABILI PER INCIDENTI CAUSATI DALLA TRASFORMAZIONE DEL PRODOTTO DA PARTE DEGLI UTENTI.

3 SE SI NOTA UN PROBLEMA CHE POTREBBE ESSERE CAUSATO DALLA CONSEGNA, CONTATTARE LA NOSTRA AZIENDA O IL DISTRIBUTORE LOCALE PER RICEVERE IMMEDIATAMENTE ASSISTENZA.

4 PER EVITARE INCIDENTI O DANNI, RISPETTARE LE REGOLE SEGUENTI:

- Prima di utilizzare la macchina, è necessario apprendere il corretto funzionamento.
- Prima dell'uso, è necessario leggere attentamente il manuale e conoscere tutte le istruzioni.
- Prima di utilizzare la macchina, leggere attentamente il manuale e comprendere le istruzioni riportate sull'etichetta.

Il contenuto del presente manuale, tra cui le specifiche e il design del prodotto, può essere modificato senza preavviso.



REFRIGERADORES ECO

REX14000 Ventilador inversor portátil con refrigeración por agua

MODELO	BASTIDOR EXTERIOR	CUCHILLAS	MOTOR	VELOCIDAD DE ROTACIÓN	VOLUMEN DE SONIDO (MÁX.)	TENSIÓN (NORMAL)	GARANTÍA
REX14000	PE (polietileno)	6 + cuchillas de fibra 18" 3 nailon	450W grado F	1380 RPM	55 dB*	1Ø230 V, 50 Hz	2 años **
CORRIENTE (MÁX.)	CONSUMO DE ENERGÍA (MÁX.)	ALCANCE DEL VIENTO (MÁX.)	TAMAÑO	ALMACENAMIENTO DE AGUA	PESO	PESO TOTAL CON AGUA	
3.5A ±10%	510W/h ±10%	15 m arriba	L 75 An 50 Al 130 cm	50 L	45 kg	105 kg	

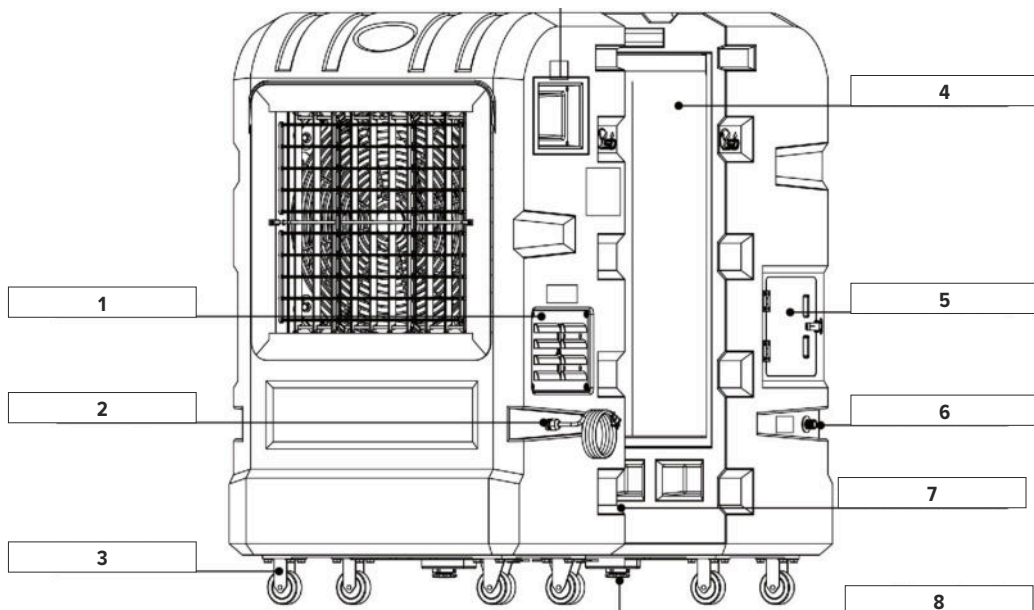
* (Los datos de volumen sonoro se detectan a 3 m de distancia, y se verificarán en diferentes zonas circundantes)

**GARANTÍA

Todos los refrigeradores eco Rex Nordic están garantizados contra defectos de materiales y mano de obra durante un periodo de 2 años a partir de la fecha de compra. La garantía no cubre: daños por agua, manipulación incorrecta, claridad del color, acabado del color, accidentes o desgaste. Para todas las reclamaciones se requiere el justificante de compra.

1	Tapa del inversor
2	Cable de alimentación
3	Ruedas
4	Panel de refrigeración por agua

5	Entrada de cubitos de hielo
6	Entrada de agua automática
7	Escala del almacenamiento de agua
8	Desagüe manual





REX25000 Ventilador inversor portátil con refrigeración por agua

MODELO	BASTIDOR EXTERIOR	CUCHILLAS	MOTOR	VELOCIDAD DE ROTACIÓN	VOLUMEN DE SONIDO (MÁX.)	TENSIÓN (NORMAL)	GARANTÍA
REX25000	PE (polietileno)	6 + cuchillas de fibra 30" 3 nailon	680W grado F	1100 RPM	60 dB*	1Ø230 V, 50 Hz	2 años **
CORRIENTE (MÁX.)	CONSUMO DE ENERGÍA (MÁX.)	ALCANCE DEL VIENTO (MÁX.)	TAMAÑO	ALMACENAMIENTO DE AGUA	PESO	PESO TOTAL CON AGUA	
5A ±10%	850W/h ±10%	20 m arriba	L 132 An 69 Al 172 cm	170 L	100 kg	270 kg	

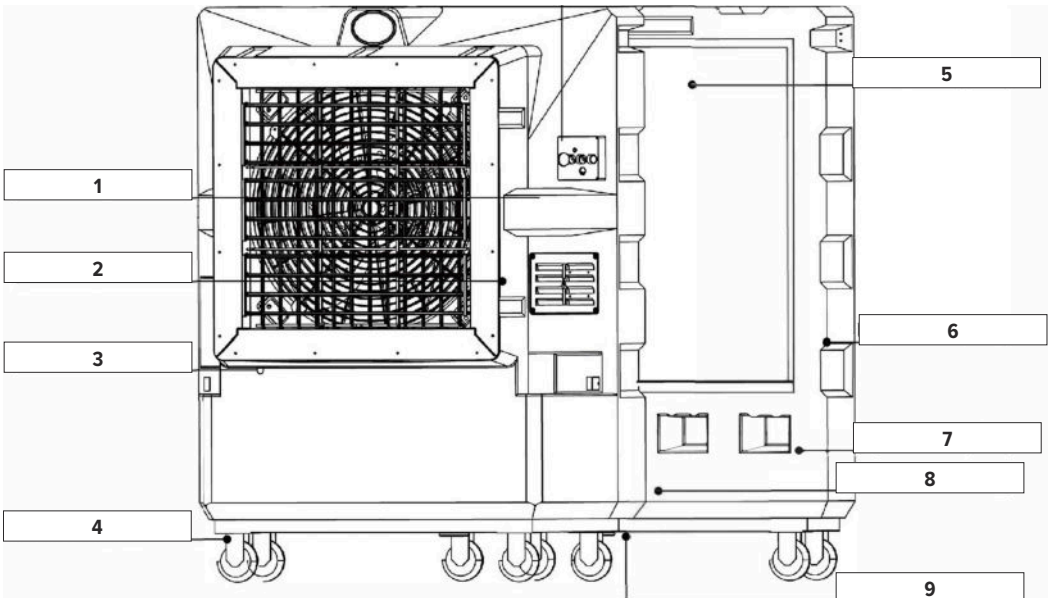
*[Los datos de volumen sonoro se detectan a 3 m de distancia, y se verificarán en diferentes zonas circundantes]

**GARANTÍA

Todos los refrigeradores eco Rex Nordic están garantizados contra defectos de materiales y mano de obra durante un periodo de 2 años a partir de la fecha de compra. La garantía no cubre: daños por agua, manipulación incorrecta, claridad del color, acabado del color, accidentes o desgaste. Para todas las reclamaciones se requiere el justificante de compra.

1	Gancho para cable de alimentación
2	Tapa del inversor
3	Entrada de agua automática
4	Ruedas
5	Panel de refrigeración por agua

6	Entrada de cubitos de hielo
7	Depósito de agua
8	Escala del almacenamiento de agua
9	Desagüe manual





Agradecemos sinceramente su confianza y apoyo en nuestro producto. Para garantizar un uso correcto y eficaz, lea detenidamente este manual antes de utilizar este producto.

PRECAUCIONES DE SEGURIDAD

Desenchufe la toma de corriente antes de proceder a la limpieza y el mantenimiento.



Lea detenidamente el manual antes de poner en funcionamiento el ventilador de refrigeración por agua.



No abra el panel de control ni la cubierta del inversor sin ayuda cualificada.



No accione el panel de control ni toque el enchufe ni la tapa del inversor con las manos mojadas.



No comparta el enchufe con otros equipos por la elevada corriente de arranque del ventilador. Elija un juego de cables alargadores de más de 2,5 mm² (14 AWG) para el ventilador de refrigeración por agua. Además, el cable alargador no debe superar los 25 m.



Evite utilizar alargadores o enchufes viejos. Mantenga los cables alejados del calor y del fuego. No coloque los cables en lugares de paso de personas o tráfico para evitar que se pisen o tiren de ellos, lo que podría causar accidentes.



No retire la toma de tierra del enchufe. Elija un enchufe correcto y hermético, no utilice uno sin toma de tierra. Por su seguridad, no modifique el cable de alimentación ni el cableado del panel de control.



Esta unidad no es capaz de arrastrar y nunca debe utilizarse para arrastrar: (1) gases inflamables, incluidos el gas de petróleo, el gas combustible, el oxígeno puro, el gas hidrógeno, etc. (2) líquido inflamable, como el gas, el tolueno, etc. (3) un polvo o cristal con un punto de inflamación bajo, incluido el magnesio, el platino, la pólvora, etc.



Si el ventilador no funciona bien, desconecte la corriente y compruebe el cable, la toma de corriente y el alargador. Después de comprobarlo, reinicie el ventilador al cabo de un rato. Si el problema no se soluciona, póngase en contacto con el comercio donde compró el ventilador o con nosotros para concertar un servicio de reparación. No desmonte ni cambie las piezas de repuesto por su cuenta.



Coloque el ventilador de refrigeración por agua sobre una superficie plana y pise el botón de freno durante el funcionamiento. En caso de inundación, desenchufe el ventilador y llévelo a un lugar seguro.



Cuando no utilice el ventilador de refrigeración durante un tiempo, abra el desagüe de la parte inferior o active el drenaje automático para que salga el agua. A continuación, encienda el ventilador durante 1-2 horas para secar el panel de refrigeración. Después del secado, desenchufe el ventilador para guardarlo.



Para llenar el depósito manualmente, apague el ventilador y abra la entrada de cubitos de hielo para llenar el agua. Asegúrese de que el agua esté alejada de la corriente para evitar accidentes.



No oriente el lado de entrada de aire (el lado del panel de refrigeración) hacia ningún objeto en llamas o que eche humo, como cerillas, cenizas, cigarrillos, puros, carbón, etc. Los daños o accidentes causados por lo anterior no están cubiertos por la garantía.



Durante el funcionamiento, no abra la tapa del inversor, la cubierta protectora del ventilador ni el panel de refrigeración de la parte posterior; tampoco arroje nada al ventilador para evitar accidentes.



Los ventiladores de refrigeración por agua son pesados. Tenga cuidado al mover el ventilador de refrigeración, ya que podría causar lesiones al chocar o volcarse.



No abra la entrada de cubitos de hielo cuando el ventilador esté en funcionamiento. Acercarse a las aspas del ventilador en marcha puede provocar lesiones y podría romper las aspas.



Al limpiar el ventilador de refrigeración, no rocíe agua sobre el panel de control o la cubierta del inversor para evitar daños.



No transforme, desmonte ni repare el producto sin instrucciones. Los daños causados por la cuestión anterior no están cubiertos por la garantía. Póngase en contacto con nosotros para obtener asistencia.



Por favor, no transforme ni cambie las aspas del ventilador por su cuenta para evitar accidentes.



No mueva el ventilador de refrigeración por agua tirando de la manguera de fijación. Esto podría dañar el ventilador.

RENDIMIENTO DEL PRODUCTO



Ajuste libremente la velocidad del ventilador con el sistema de control inversor continuo de ahorro de energía. Por favor, corte el suministro eléctrico y desenchúfelo cuando no lo utilice o se vaya la gente.



Muévalo libremente gracias a su soporte con ruedas.



Sistema de refrigeración por evaporación.
Frío sin condensación.



Puede añadir un poco de hielo para potenciar el efecto refrescante.



Gran almacenamiento de agua para soportar un funcionamiento de 4 a 6 horas.



Dispositivo de detección de almacenamiento de agua baja para evitar que la bomba se quemara.



Filtra el polvo a la vez que enfría el aire y produce un aire más fresco.



Diseño portátil, llévelo donde quiera.



100 % fabricado en Taiwán con alta calidad.



Estructura del armazón de PE resistente y bien diseñada.



Ahorra electricidad en un espacio acondicionado y enfría la habitación más rápidamente.

INSTRUCCIONES DE USO

1 SIGA LAS CONDICIONES QUE FIGURAN A CONTINUACIÓN:



Conecte el producto a una fuente de alimentación monofásica de 220 V CA y 50 Hz. (Hay una pegatina con instrucciones sobre el voltaje en el producto)



La tensión de alimentación no debe exceder en un 10 % por encima ni por debajo a la indicada.



Temperatura de funcionamiento adecuada:
0 °C~45 °C.
No coloque la máquina cerca del calor o del fuego.

2 Cuando el nivel de almacenamiento de agua baja, la bomba se detiene automáticamente. Llene el depósito hasta el máximo de la escala sin superar ese límite.

3 No se suba, ni se siente, ni coloque objetos sobre el ventilador. Puede causar daños, vuelcos o lesiones cuando esas cosas se caigan.

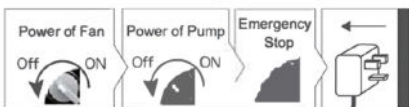
4 Mantenga la hebilla de la entrada de cubitos de hielo atada después de usarla.

5 No separe la cubierta protectora ni otras partes del ventilador, o podría causar daños al ventilador o accidentes.

6 Proporcione una toma aislada o un cable para el ventilador. No comparta la fuente de alimentación con otros equipos de alto consumo para garantizar la seguridad.

7 Apagando el interruptor de la bomba, puede utilizar este producto solo con la función de ventilador.

8 Para garantizar el mejor efecto de refrigeración, sugerimos lavar el panel de refrigeración y cambiar el agua del depósito una vez a la semana. Abra el desagüe manual de la parte inferior y vuelva a llenar el depósito. El siguiente proceso de limpieza alarga la vida útil de la bomba.



A. Atención! Antes del proceso de limpieza, apague el ventilador, desenchúfelo y aléjelo de la fuente de alimentación y de otros equipos.



B. Abra el desagüe manual de la parte inferior y lave el panel de refrigeración con un cepillo suave desde arriba. Después del lavado, espere a que salga el agua residual y cierre el desagüe.



C. Cuando lave el panel de refrigeración, no rocíe agua directamente sobre el panel de control ni la cubierta del inversor. Esto dañará el controlador del motor.



D. Limpie la carcasa del ventilador con una toalla húmeda, no rocíe agua ni la limpie con líquidos volátiles.

9 La garantía no cubre los daños causados por los siguientes problemas.

- A. Conexión eléctrica con tensión incorrecta.
- B. Daños en la manipulación o en el transporte causados por los usuarios.
- C. Daños causados por catástrofes naturales.
- D. Daños estructurales causados por líquidos o gases volátiles.
- E. Accidentes o daños causados por la conexión de cables o el uso compartido de energía con otros equipos.
- F. Daños causados por la transformación o el cambio de las piezas.
- G. Avería causada por la alteración del cableado.
- H. Daños causados por salpicaduras de agua o lluvia.
- I. Daños en la bomba causados por atascos debidos a una limpieza descuidada.

Póngase en contacto con nosotros si tiene alguna pregunta.

CARACTERÍSTICAS Y MANUAL

				
CONTROL CONTINUO DE LA VELOCIDAD DEL VENTILADOR	PROTECCIÓN CONTRA CORTOCIRCUITOS	MOTOR DE ARRANQUE SUAVE	PROTECCIÓN PARA NIVEL DE AGUA BAJO	PROTECCIÓN CONTRA SOBRECORRIENTES

INSTRUCCIONES

GUÍA DE FUNCIONAMIENTO DEL VENTILADOR DE REFRIGERACIÓN POR AGUA

1 Proceso de funcionamiento y entrada de agua automática: Una el conector rápido de la manguera de entrada de agua a un grifo y apriételo. Compruebe y asegúrese de que el otro extremo del conector está fijado al ventilador de refrigeración. Abra el grifo y llene el depósito de agua hasta el nivel más alto de la escala de almacenamiento de agua. Encienda la bomba (consulte las instrucciones del panel de control más abajo), deje que el agua moje el panel de refrigeración durante 1-2 minutos y, a continuación, encienda el ventilador y ajuste su velocidad. Siguiendo el proceso, obtendrá el mejor efecto de refrigeración de su ventilador.

2 INSTRUCCIONES DEL PANEL DE CONTROL:

1	Indicador de encendido
2	Alimentación/ Parada de emergencia
3	Alimentación de la bomba
4	Alimentación del ventilador
5	Regulador de velocidad del ventilador
6	Alimentación de las persianas



ALIMENTACIÓN/ PARADA DE EMERGENCIA

- Gire el botón y encienda el indicador de alimentación.
- Pulse el botón para desconectar la alimentación en caso de emergencia. Siga el proceso de encendido y apagado que se indica a continuación para un uso habitual.

Atención: Una vez pulsada la parada de emergencia, el ventilador se reiniciará transcurridos 20 segundos.

ALIMENTACIÓN DE LA BOMBA

- Encienda el botón, la bomba se pondrá en marcha al haber suficiente agua en el interior del depósito. La bomba no arranca cuando el nivel de agua es bajo. Llene el depósito antes de usarlo.

ALIMENTACIÓN DEL VENTILADOR

- Encienda la alimentación del ventilador y gire el regulador de velocidad del ventilador para controlar la velocidad.

REGULADORES DE VELOCIDAD DE LOS VENTILADORES

- Controla la velocidad del ventilador cuando está encendido. De 0 a 100; cuanto mayor sea el número, más rápido será el ventilador.

ALIMENTACIÓN DE LAS PERSIANAS

- Control de las persianas eléctricas

ENCENDIDO Y APAGADO



- 1 - Enchufar el ventilador
- 2 - Encender el interruptor
- 3 - Se enciende el indicador de alimentación
- 4 - Encender la bomba durante 1 ó 2 minutos para que se humedezca el panel de refrigeración
- 5 - Encender el ventilador
- 6 - Regular la velocidad del ventilador



- 1 - Apague la bomba y deje el ventilador funcionando durante 30 minutos para secar el medio refrigerante y luego apague el ventilador.
- 2 - Poner el regulador de velocidad en 0
- 3 - Apague la alimentación del ventilador.
- 4 - Pulsar la parada de emergencia
- 5 - Desenchufa el ventilador

**INSTRUCCIONES DE LAS ETIQUETAS
DE SEÑALES****1~AC230V**

Especificación de potencia

! WARNING / DANGEROUS**ELECTRIC SHOCK
OPERATE CAREFULLY****DON'T SPRAY WATER**

Aquí se instalan el inversor y el controlador del ventilador.
Limpie el ventilador con una toalla húmeda. Rociar agua
podría causar fugas eléctricas o cortocircuitos.

! AVOID HIGH WATER PRESSURE**WATER IN**

La presión de entrada del agua no debe ser superior a 4,5 bar.

WATER OUT

Desagüe manual. Abrir cuando cambie y lave.

! WARNING**RISK OF
DRAW IN****DANGEROUS
DON'T TOUCH**

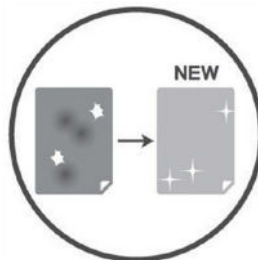
No se acerque ni toque
el ventilador cuando esté
en funcionamiento.

! Warning**Do not open it
when the fan
is running.**Entrada de cubitos de
hielo**LIMPIEZA Y MANTENIMIENTO
CAMBIE EL AGUA CON REGULARIDAD**

1 Durante el uso, el polvo y las partículas se depositaban en el interior del depósito. Esto puede reducir la capacidad de refrigeración del ventilador y producir malos olores. Sugerimos cambiar el agua del depósito al menos una vez por semana o más veces si es necesario. Y no rocíe agua directamente sobre el inversor o el panel de control.

2 El ventilador de refrigeración puede filtrar el polvo y las partículas. Cuando utilice el ventilador en una zona con aire viciado, le sugerimos que abra el desagüe manual para dejar salir el agua después de su uso. Llene el depósito la próxima vez que sea necesario.

3 Drenaje manual: En la parte inferior del ventilador de refrigeración. Gire el mando para abrir y dejar salir el agua. Vuelva a girarlo después.

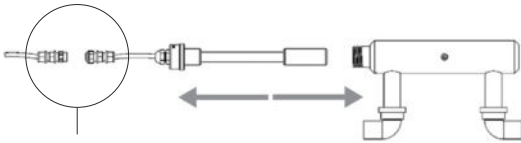


Los paneles de refrigeración por agua pueden sustituirse. Póngase en contacto con nosotros o con nuestro distribuidor para su recambio en caso de manchas o daños.

PROCESO DE LIMPIEZA CON LUZ UV

1 Antes de iniciar el proceso, pulse el botón rojo (parada de emergencia).

2 Desenchufe el cable de alimentación para evitar descargas eléctricas.



CONECTOR RÁPIDO UVC

Después de asegurarse de que el refrigerador está desenchufado, siga la siguiente guía:

3 Abra la entrada de cubitos de hielo y suelte el conector rápido del tubo de luz ultravioleta.

4 Afloje el prensaestopas.

5 Afloje el cierre de acero inoxidable.

6 Saque el tubo de luz ultravioleta.

7 La cal puede eliminarse sumergiendo el tubo en un producto desincrustante a base de ácido cítrico. Sumerja el tubo en el desincrustante y acíbrelo bien. Siga las instrucciones de los desincrustantes antical.

8 Enjuague el tubo de luz con agua para lavar la solución. Vuelva a colocar el tubo de luz ultravioleta con su tapa en su posición original.

9 Fije correctamente el conector rápido y apriételo.

10 Introduzca el cable y apriete el prensaestopas.

11 Fije el cierre de acero inoxidable.

12 Después de instalar el tubo de luz ultravioleta, cierre la entrada de cubitos de hielo y termine el proceso.

ADVERTENCIA



1 POR FAVOR, SIGA LA GUÍA DE ESTE MANUAL CON PRECISIÓN. LOS DAÑOS Y LESIONES CAUSADOS POR UN USO INADECUADO NO ESTÁN CUBIERTOS POR LA GARANTÍA.

2 NO NOS HACEMOS RESPONSABLES DE LOS ACCIDENTES CAUSADOS POR PRODUCTOS TRANSFORMADOS POR LOS USUARIOS.

3 SI DETECTA ALGÚN PROBLEMA QUE PUEDA HABERSE CAUSADO DURANTE LA ENTREGA, PÓNGASE EN CONTACTO CON NOSOTROS O CON NUESTRO DISTRIBUIDOR EN SU PAÍS PARA RECIBIR ASISTENCIA URGENTE.

4 PARA EVITAR CUALQUIER ACCIDENTE O DAÑO, SIGA LAS SIGUIENTES NORMAS:

- Debe aprender a manejar la máquina correctamente antes de utilizarla.
- Debe leer el manual y conocer todas las instrucciones antes de utilizarlo.
- Debe leer todo el manual y comprender las instrucciones de las etiquetas de señales antes de utilizarlo.

El contenido de este manual, incluidas las especificaciones y el diseño de los productos, puede modificarse sin previo aviso.

REFRIGERADORES ECOLÓGICOS

REX14000 Ventilador portátil de arrefecimento a água com inversor

MODELO	ESTRUTURA EXTERNA	LÂMINAS	MOTOR	VELOCIDADE DE ROTAÇÃO	VOLUME DO SOM (MÁX.)	TENSÃO (NORMAL)	GARANTIA
REX14000	PE	Lâminas de 18" 3 Nylon 6 + Fibra	Grau 450W F	1380 RPM	55dB*	1Ø230 V, 50 Hz	2 anos **
CORRENTE (MÁX.)	CONSUMO DE ENERGIA (MÁX.)	ÁREA EXPOSTA AO VENTO (MÁX.)	TAMANHO	ARMAZENAMENTO DE ÁGUA	PESO	PESO TOTAL COM ÁGUA	
3.5A ±10%	510W/h ±10%	15 m acima	C 75xL 50xA 130 cm	50L	45 kg	105 kg	

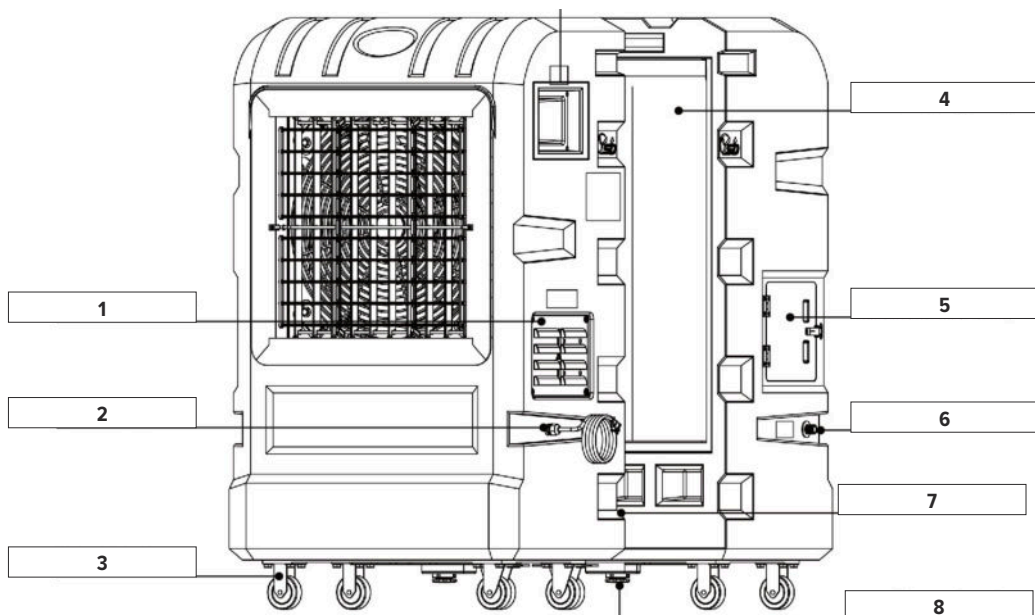
*(Os dados relativos ao volume do som são detetados a 3 m de distância e serão verificados em diferentes áreas circundantes).

**GARANTIA

Todos os refrigeradores Rex Nordic Eco estão garantidos contra defeitos de materiais e de fabrico durante um período de 2 anos a partir da data de compra. A garantia não cobre: danos causados pela água, manuseamento incorreto, nitidez da cor, acabamento da cor, acidentes ou desgaste. É necessária uma prova de compra para todos os pedidos de indemnização.

1	Tampa do inversor
2	Cabo de alimentação
3	Suporte de rodas
4	Almofada de arrefecimento a água

5	Entrada de cubos de gelo
6	Entrada automática de água
7	Escala de armazenamento de água
8	Descarga manual





REX25000 Ventilador portátil de arrefecimento a água com inversor

MODELO	ESTRUTURA EXTERNA	LÂMINAS	MOTOR	VELOCIDADE DE ROTAÇÃO	VOLUME DO SOM (MÁX.)	TENSÃO (NORMAL)	GARANTIA
REX25000	PE	Lâminas de 30" 3 Nylon 6 + Fibra	Grau 680W F	1100 RPM	60 dB*	1Ø230 V, 50 Hz	2 anos **
CORRENTE (MÁX.)	CONSUMO DE ENERGIA (MÁX.)	ÁREA EXPOSTA AO VENTO (MÁX.)	TAMANHO	ARMAZENAMENTO DE ÁGUA	PESO	PESO TOTAL COM ÁGUA	
5A ±10%	850W/h ±10%	20 m acima	C 132xL 69x A 172 cm	170L	100 kg	270 kg	

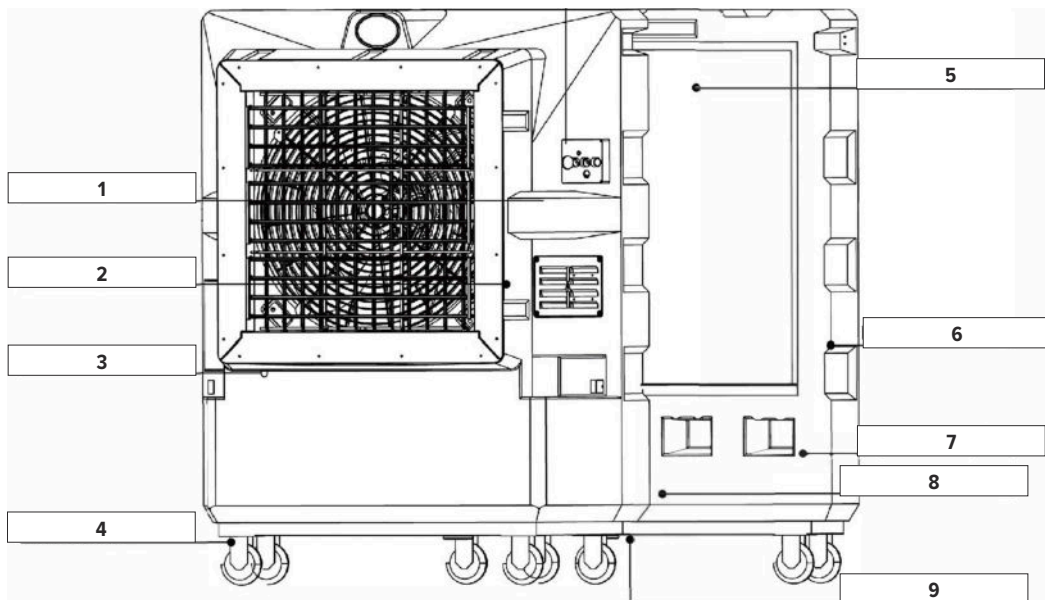
*(Os dados relativos ao volume do som são detetados a 3 m de distância e serão verificados em diferentes áreas circundantes).

**GARANTIA

Todos os refrigeradores Rex Nordic Eco estão garantidos contra defeitos de materiais e de fabrico durante um período de 2 anos a partir da data de compra. A garantia não cobre: danos causados pela água, manuseamento incorreto, nitidez da cor, acabamento da cor, acidentes ou desgaste. É necessária uma prova de compra para todos os pedidos de indemnização.

1	Gancho para cabo de alimentação
2	Tampa do inversor
3	Entrada automática de água
4	Suporte de rodas
5	Almofada de arrefecimento a água

6	Entrada de cubos de gelo
7	Reservatório de água
8	Escala de armazenamento de água
9	Descarga manual





Agradecemos sinceramente a sua confiança e apoio no nosso produto. Para garantir uma utilização correta e eficaz, leia este manual antes de utilizar este produto.

PRECAUÇÕES DE SEGURANÇA

Antes de proceder à limpeza e manutenção, desligue a ficha da tomada elétrica!



Leia atentamente o manual antes de utilizar a ventilador de arrefecimento a água.



Não abra o painel de controlo ou a tampa do inversor sem orientação qualificada.



Não opere o painel de controlo, nem toque na ficha de alimentação e na tampa do inversor com as mãos molhadas.



Não use a tomada com outros equipamentos devido à elevada corrente de arranque do ventilador. Escolha um cabo de extensão com mais de 2,5 mm² (14 AWG) para o ventilador de arrefecimento a água. Além disso, o cabo de extensão não deve ter mais de 25 m.



Evite utilizar extensões ou tomadas antigas. Mantenha os fios afastados do calor e do fogo. Não coloque os fios em locais de passagem de pessoas ou de trânsito, para evitar que sejam pisados ou puxados, o que pode causar acidentes.



Não retire a parte de terra da ficha. Escolha uma tomada correta e apertada, não utilize uma tomada sem ligação à terra. Para sua segurança, não altere o cabo de alimentação ou a cablagem do painel de controlo.



Este aparelho não é adequado e nunca deve ser utilizado para extrair: (1) gases inflamáveis, incluindo gás de petróleo, gás combustível, oxigénio puro, gás hidrogénio, etc. (2) líquidos inflamáveis, como gás, tolueno, etc. (3) poeiras ou cristal com baixo ponto de inflamação, incluindo o magnésio, platina, a pólvora, etc.



Se o ventilador não funcionar corretamente, desligue a alimentação e verifique o fio, a tomada e o cabo de extensão. Depois da verificação, reinicie o ventilador após algum tempo. Se o problema persistir, contacte o local onde adquiriu o ventilador ou contacte-nos para organizar um serviço de reparação. Não desmonte ou substitua peças sobresselentes por iniciativa própria.



Coloque o ventilador de arrefecimento a água numa superfície plana e pressione o botão do travão ao operar. Ao deparar-se com danos provocados por transbordo, desligue o ventilador da tomada e desloque-o para um local seguro.



Quando não utilizar o ventilador de arrefecimento durante algum tempo, abra o orifício de descarga no fundo ou ligue a descarga automática para deixar sair a água. Em seguida, ligue o ventilador durante 1-2 horas para secar a almofada de arrefecimento. Após a secagem, desligue o ventilador para o guardar.



Para encher o reservatório manualmente, desligue o ventilador e abra a entrada de cubos de gelo para encher a água. Certifique-se de que a água está afastada da corrente elétrica para evitar acidentes.



Não vire a entrada de ar (o lado da almofada de arrefecimento) para qualquer objeto que arda ou fumege, incluindo fósforos, cinzas, cigarros, charutos, carvão, etc. Os danos ou acidentes causados pela tópicio anterior não estão cobertos pela garantia.



Durante o funcionamento, não abra a tampa do inversor, a proteção da tampa do ventilador ou a almofada de arrefecimento na parte de trás; além disso, não atire nada para o ventilador para evitar acidentes.



Os ventiladores de arrefecimento a água são pesados. Tenha cuidado ao deslocar o ventilador de arrefecimento, pois pode causar ferimentos em caso de choque ou capotamento.



Não abra a entrada para cubos de gelo enquanto o ventilador estiver a funcionar. O aproximar-se das lâminas do ventilador em funcionamento pode causar ferimentos e quebrar as lâminas.



Ao limpar o ventilador de arrefecimento, não pulverize água no painel de controlo ou na tampa do inversor para evitar danos.



Não transforme, desmonte ou repare o produto sem orientações. Os danos causados pelo tóxico anterior não são cobertos pela garantia. Contacte-nos para obter apoio.



Não transforme ou mude as lâminas do ventilador por si próprio para evitar acidentes.



Não desloque o ventilador de arrefecimento a água puxando pela mangueira. Isto pode causar danos ao ventilador.

DESEMPENHO DO PRODUTO



Ajuste livremente a velocidade do ventilador com o sistema de controlo gradual do inversor de poupança de energia. Desligue a alimentação elétrica e extraia a ficha da tomada quando não estiver a ser utilizado ou quando não estiverem presentes pessoas.



Desloque livremente com o suporte de rodas.



Sistema de arrefecimento por evaporação. Frio, sem névoa.



Pode adicionar um pouco de gelo para aumentar o efeito de arrefecimento.



Grande capacidade de armazenamento de água para suportar um funcionamento de 4 a 6 horas.



Dispositivo de deteção de baixa quantidade de água para evitar que a bomba se queime.



Filtra o pó enquanto arrefece o ar e produz ar mais fresco.



Conceção portátil, leve-o para onde quiser.



100% fabricado no Taiwan com alta qualidade.



Estrutura de PE forte e bem concebida.



Poupa eletricidade num espaço com ar condicionado e arrefece o compartimento mais rapidamente.

INSTRUÇÕES DE FUNCIONAMENTO

1 SIGA AS CONDIÇÕES ABAIXO:



Ligue o produto a uma fonte de alimentação de 220 V CA, 50 Hz, monofásica. (Existe um autocolante de instruções sobre a tensão no produto).



A tensão de alimentação não deve ser 10% superior ou inferior à tensão indicada.



Temperatura de funcionamento adequada: 0 °C~45 °C.
Não coloque o aparelho perto do calor ou do fogo.

2 Quando o nível de armazenamento de água ficar baixo, a bomba para automaticamente. Encha o reservatório até ao máximo da escala e não encha além disso.

3 Não se coloque, sente ou coloque objetos em cima do ventilador. Isso pode causar danos, capotamento ou ferimentos quando as coisas caem.

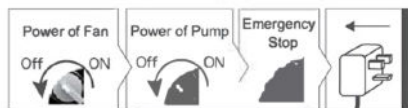
4 Mantenha a fivela da entrada de cubos de gelo apertada após a utilização.

5 Não retire a proteção da tampa e outras peças do ventilador, caso contrário, pode provocar danos no ventilador ou acidentes.

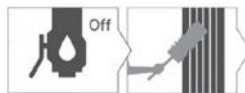
6 Providencie uma tomada ou cabo isolado para o ventilador. Não partilhe a fonte de alimentação com outro equipamento de elevado consumo de energia para garantir a segurança.

7 Se desligar o interruptor da bomba, pode utilizar este produto apenas com a função de ventoinha.

8 Para garantir o melhor efeito de arrefecimento, sugerimos que lave a almofada de arrefecimento e mude a água do reservatório uma vez por semana. Abra a descarga manual no fundo e encha novamente o depósito. O processo de limpeza que se segue prolonga a vida útil da bomba.



A. Atenção! Antes do processo de limpeza, desligue o ventilador, extraia a ficha da tomada e afaste o ventilador da fonte de alimentação e de outros equipamentos.



B. Abra a descarga manual na parte do fundo e lave a almofada de arrefecimento com uma escova macia a partir da parte de cima. Após a lavagem, aguarde que a água residual escorra e, em seguida, feche o orifício de descarga.



C. Ao lavar a almofada de arrefecimento, não pulverize água diretamente no painel de controlo ou na tampa do inversor. Isto irá danificar o controlador do motor.



D. Limpe a caixa do ventilador com um pano húmido, não pulverize água, nem a limpe com líquidos voláteis.

9 Os danos no produto causados pelos problemas que se seguem não estão cobertos pela nossa garantia.

- A. Ligação à corrente com tensão incorreta.
- B. Danos causados pelos utilizadores durante o manuseamento ou em trânsito.
- C. Danos causados por calamidades naturais.
- D. Danos estruturais causados por líquidos ou gases voláteis.
- E. Acidentes ou danos causados pela ligação de fios ou pela partilha de energia com outros equipamentos.
- F. Danos causados pela transformação ou substituição de peças.
- G. Avaria causada por alteração do fio.
- H. Danos causados por salpicos de água ou chuva.
- I. Danos na bomba causados por entupimento devido a uma limpeza descuidada.

Para qualquer dúvida, contacte-nos.

CARACTERÍSTICAS E MANUAL

				
CONTROLO GRADUAL DA VELOCIDADE DO VENTILADOR	PROTEÇÃO CONTRA CURTO-CIRCUITOS	MOTOR DE ARRANQUE SUAVE	PROTEÇÃO CONTRA NÍVEL BAIXO DE ÁGUA	PROTEÇÃO CONTRA SOBREINTENSIDADES

INSTRUCTION

GUIA DE FUNCIONAMENTO DO VENTILADOR DE ARREFECIMENTO A ÁGUA

1 PROCESSO DE FUNCIONAMENTO E ENTRADA AUTOMÁTICA DE ÁGUA: Ligue o conector rápido da mangueira de entrada de água a uma torneira e aperte-o. Verifique e certifique-se de que a outra extremidade do conector está fixado ao ventilador de arrefecimento. Abra a torneira e encha o reservatório de água até ao nível mais alto da escala de armazenamento de água. Ligue a bomba (consulte as instruções do painel de controlo abaixo) e deixe a água molhar a almofada de arrefecimento durante 1 a 2 minutos, depois ligue o ventilador e ajuste a velocidade do mesmo. Se seguir este processo, obterá o melhor efeito de arrefecimento do seu ventilador.

2 INSTRUÇÕES DO PAINEL DE CONTROLO:

1	Indicador de alimentação
2	Alimentação/ Paragem de emergência
3	Alimentação da bomba
4	Alimentação do ventilador
5	Regulador da velocidade do ventilador
6	Alimentação das persianas



ALIMENTAÇÃO/ PARAGEM DE EMERGÊNCIA

- Rode o botão e o indicador de alimentação acende.
- Pressione o botão para desligar a alimentação quando ocorrer uma emergência. Siga o processo de ligar e desligar abaixo para uma utilização normal.

Atenção: Depois de pressionar a paragem de emergência, o ventilador é reiniciado após 20 segundos.

POTÊNCIA DA BOMBA

- Ligue o botão, a bomba arranca porque há água suficiente no reservatório. A bomba não arranca quando o nível da água é baixo. Encha o reservatório antes de utilizar.

POTÊNCIA DO VENTILADOR

- Ligue a alimentação do ventilador e rode o regulador de velocidade do ventilador para controlar a velocidade.

REGULADORES DE VELOCIDADE DO VENTILADOR

- Controle a velocidade do ventilador quando a alimentação do ventilador está ligada. De 0 a 100; quanto maior o número, mais rápido é o ventilador.

POTÊNCIA DAS PERSIANAS

- Controle as persianas elétricas

LIGAR E DESLIGAR



- 1 - Ligar o ventilador
- 2 - Ligar o interruptor de alimentação
- 3 - O indicador de alimentação acende
- 4 - Ligar a alimentação da bomba durante 1 a 2 min. para deixar a almofada de arrefecimento molhada
- 5 - Ligar a alimentação do ventilador
- 6 - Regular a velocidade do ventilador



- 1 - Desligue a bomba e deixe o ventilador funcionando por 30 minutos para secar o meio de resfriamento e em seguida desligue o ventilador.
- 2 - Gire o regulador de velocidade para 0
- 3 - Desligue a energia do ventilador
- 4 - Empurre a parada de emergência
- 5 - Desligue o ventilador

ETIQUETA DE SINAIS DE INSTRUÇÕES

1~AC230V

Especificação de potência

! WARNING / DANGEROUS**ELECTRIC SHOCK
OPERATE CAREFULLY****DON'T SPRAY WATER**

O inversor e o controlador do ventilador estão instalados aqui. Limpar o ventilador com um pano húmido. A pulverização de água pode provocar uma fuga elétrica ou um curto-circuito.

! AVOID HIGH WATER PRESSURE**WATER IN**

A pressão de entrada da água não deve ser superior a 4,5 bar.

WATER OUTDescarga manual.
Abrir para mudar e lavar.**! WARNING****RISK OF
DRAW IN****DANGEROUS
DON'T TOUCH**Não se aproximar ou tocar
no ventilador durante
o funcionamento.**! Warning****Do not open it
when the fan
is running.**

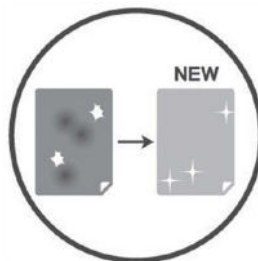
Entrada de cubos de gelo

LIMPEZA E MANUTENÇÃO
MUDAR A ÁGUA REGULARMENTE

1 Durante a utilização, o pó e as partículas depositam-se no interior do reservatório. Isto pode reduzir a capacidade de arrefecimento do ventilador e provocar maus cheiros. Sugerimos que a água do reservatório seja mudada, pelo menos, uma vez por semana; se necessário, mais vezes. Não pulverizar água diretamente no inversor ou no painel de controlo.

2 O ventilador de arrefecimento pode filtrar o pó e as partículas. Se o ventilador for utilizada numa área com ar de fraca qualidade, sugerimos que abra a descarga manual para deixar sair a água após a utilização. Encha o reservatório da próxima vez que for necessário.

3 Descarga manual: Na parte do fundo do ventilador de arrefecimento. Rode o botão para abrir e deixe sair a água. Depois, rode-o para trás.

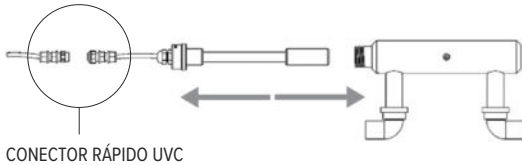


As almofadas de arrefecimento a água são elementos consumíveis. Contacte-nos ou ao nosso distribuidor para substituição em caso de manchas ou danos.

PROCESSO DE LIMPEZA POR LUZ UV

1 Antes de iniciar o processo, pressione o botão vermelho (paragem de emergência).

2 Extraia a ficha do cabo de alimentação da tomada para evitar choques elétricos.



CONECTOR RÁPIDO UVC

Depois de se certificar de que refrigerador está desligado da tomada, siga o guia abaixo:

3 Abra a entrada de cubos de gelo e desaperte o conector rápido do tubo de luz UV.

4 Desaperte o prensa-cabo.

5 Desaperte o fixador de aço inoxidável.

6 Retire o tubo de luz UV.

7 O calcário pode ser removido mergulhando o tubo num produto de remoção de calcário à base de ácido cítrico disponível no mercado. Mergulhe o tubo num removedor de calcário e enxague bem. Siga as instruções dos removedores de calcário.

8 Enxague o tubo de luz com água para lavar a solução. Volte a colocar o tubo de luz UV na sua tampa, na posição original.

9 Ligue corretamente o conector rápido e aperte-o bem.

10 Introduza o cabo e aperte o prensa-cabo.

11 Aperte o fixador de aço inoxidável.

12 Depois de instalar o tubo de luz UV, feche a entrada de cubos de gelo e conclua o processo.

AVISO



1 SIGA RIGOROSAMENTE AS INSTRUÇÕES DESTA MANUAL. OS DANOS E LESÕES CAUSADOS POR UMA UTILIZAÇÃO INCORRETA NÃO ESTÃO COBERTOS PELA GARANTIA.

2 NÃO NOS RESPONSABILIZAMOS POR ACIDENTES CAUSADOS POR PRODUTOS TRANSFORMADOS PELOS UTILIZADORES.

3 SE NOTAR ALGUM PROBLEMA QUE POSSA TER SIDO CAUSADO DURANTE A ENTREGA, CONTACTE-NOS OU AO NOSSO DISTRIBUIDOR NO SEU PAÍS PARA OBTER ASSISTÊNCIA URGENTE.

4 PARA EVITAR QUALQUER ACIDENTE OU DANO, SIGA AS REGRAS ABAIXO:

- É necessário aprender a utilizar corretamente o aparelho antes de o utilizar.
- É necessário ler o manual e ter conhecimento de todas as instruções antes de o utilizar.
- Antes de utilizar o aparelho, é necessário ler o manual e compreender as instruções da etiqueta.

O conteúdo deste manual, incluindo as especificações e a conceção dos produtos, pode ser alterado sem aviso prévio.



rexnordic.com

REXNORDIC

REXNORDIC
rexnordic.com

UNITED KINGDOM 
Rex Nordic UK LTD

CUSTOMER SERVICE
+44 13 553 773 70
uk@rexnordic.com

FINLAND 
Rex Nordic Oy

ASIAKASPALVELU
+358 40 180 1111
info@rexnordic.com

NORWAY 
Rex Nordic AS

KUNDESERVICE
+47 40 006 616
norge@rexnordic.com

SWEDEN 
Rex Nordic AB

KUNDTJÄNST
+46 72 200 2222
info@rexnordic.com

DENMARK 
Rex Nordic A/S

KUNDESERVICE
+45 22 119 897
+45 29 112 231
dk@rexnordic.com

GERMANY 
Rex Nordic GmbH

KUNDENDIENST
+49 171 4006 002
de@rexnordic.com

NEDERLAND 
Rex Nordic B.V.

KLANTENSERVICE
+31 639 625 904
nl@rexnordic.com

FRANCE 
Rex Nordic Sasu

SERVICE À
LA CLIENTÈLE
+33 680 785 095
fr@rexnordic.com

POLAND 
Rex Nordic Sp z o.o.

OBSŁUGA KLIENTA
+48 88 620 9018
pl@rexnordic.com